

Service Manual

MINOLTA X-700

(2017-100/200)



MINOLTA

MINOLTA X-700 (2017-100)

(2017-200) ... Black

Type of camera

Electronically controlled 35mm focal plane shutter single-lens reflex AE camera

Photography system : Program AE, aperture priority AE, and manual photography

Standard lens : MD 50mm F1.2, MD 50mm F1.4, MD 50 F1.7

Lens mount : Minolta SLR bayonet mount.

Film used : J135 rolled film

Size of image field : 24mm x 36mm

Shutter

Electronically controlled focal plane shutter (Traveling horizontally)

Shutter speed : 4 sec. to 1/1000 sec. (stepless) in auto (P and A modes).

1, 1/2, 1/4, 1/8, 1/15, 1/30, 1/60, 1/125, 1/250, 1/500, 1/1000 sec. and B (bulb) in manual mode.

Shutter dial : Click stop endless dial (with position P/A lock).

Shutter release : Electromagnetic release, remote cord, wireless controller IR-1 can be mounted.

Shutter release locks in case of battery voltage drop.

Shutter button is provided with sensor switch. (Metering and displaying continuous for 15 sec. after touching the sensor switch.)

With main switch at ON)), intermittent electronic alarm is given to warn against camera vibration when the shutter speed indicated in the viewfinder becomes less than 1/30 second.

Self-timer : Electronic self-timer starts by using the shutter button. 10 second operation is indicated by LED blink and intermittent electronic alarm (with the main switch set at ON)). Shutter pre-operation notice is given. Self-timer operation can be cleared after its start.

Synchro

Flash synchro : X contact, electroflash is synchronized at speeds lower than 1/60 second; flash bulb is at speeds lower than 1/15 second.

Hot shoe : Direct contact (with electric shock prevention device), synchro auto control contact.

Synchro terminal : JIS B type socket



Film winding, rewinding

Film winding : Single-operation lever winding at an angle of 130° (preliminary angle : 30°) auto winding by motor 1 or auto winder G.

Film counter : Auto resetting calculation.

Film rewinding : Auto rewind and crank system; auto reset of rewind button.

Viewfinder

Focusing screen : Center...Split, microprism
Periphery...Acute matte

Viewfinder vision : 95% (standard 24mm x 36mm image field).

Magnification : 0.9 (50mm standard lens at ∞)

Visibility : 1 diopt.

Viewfinder indication : Shooting mode LED, shutter speed scale, shutter speed indication LED, shutter speed non-interlock alarm LED, exposure compensation indication, exposure compensating, LED, set aperture valash ready signal, FDC indication, faulty P mode indication.

Mirror : Slide-up quick return

Exposure control

Light-Metering system :

TTL, center-weighted average metering.

(Minolta direct metering, using auto electroflash 280PX/CLE)

Receiver element : Silicon photocell

Auto exposure interlock range :

EVI-18 (ASA100 F1.4 lens)

Film speed scale : ASA/ISO 25-1600 (locked every 1/3 stage)

Exposure Compensation :

This is possible in the ±2EV range of the standard (locked every 1/2 stage)

Power supply

Battery used : Two 1.5V alkaline manganese batteries (JIS LR44/A76) or 1.55V silver oxide battery G-13 type (JIS SR44) or equivalent.

Main switch : Changeover type ON), ON, OFF.

Metering switch : Shutter button sensor switch system. (Battery check)

Back cover

Back cover control lift and one-touch lock system, memo-holder with grip (film speed conversion), multi-function back compatibility.

Others

Film signal, preview button, battery case, eyepiece cap.

Size & weight

Size : 137mm(W) × 89mm(H) × 51.5mm(D)

Weight (body only) : 505g (less battery)

Exclusive accessories

- Multi-function back (Code No. 8744)
- Auto electro flash 280PX (Code No. 8808)

X-700 (2017-100.....Chrome model) 2017-200.....Black model) Parts List

- This Parts List based upon the existing models (as of Jan. 1983, 2017-200 Black model).
- Regarding those modified in the course of production, part No. on the exploded view of the Parts List is provided with ● or ⊙.
 - : Modified in the course of production, and individually not interchangeable with previous type. (Some part is interchangeable)
 - ⊙ : Discontinued in the course of production, newly added or temporarily used.
- Regarding those provided with ● or ⊙, be sure to refer to the specified page (P. is provided under part No.)
For the modification details, described on P. 21 or after.
Read and understand the description on P. 21 before hand.
- This Parts List based upon X-700 (with AE lock) even though 2 types, AE lock/non AE lock, are on the market.
For X-700 with non AE lock, described on P. 35~P. 40 as exclusive parts.
- For 2017-100 (Chrome model), described on P. 20 as exclusive parts.
Parts other than on P. 20, refer to P. 1~P. 17 since those are common parts with 2017-200.
In other hand, for wiring of flexible P.C. board set of 2017-100, refer to P. 39~P. 40 since AE lock is not provided.

■ このパーツリストは、現在生産中（1983年1月現在）のモデル（2017-200.....Black model）を基本にまとめてあります。

■ 生産途中で変更された部品には、パーツリスト展開図側の部品番号の頭に記号（●印又は⊙印）を付けてあります。

●印：生産途中で変更され、その部品単独では旧タイプとの互換性がないもの
（一部互換性がある場合もあります）

⊙印：生産途中で廃止、新設、又は一時的に使用された部品を示す。

■ ●印又は、⊙印が付いている部品については、必ず指示されたページを参照して下さい。
（部品番号の下に、P. と表示）

部品の変更内容は、P. 21以降に記載してあります。P. 21の説明を理解の上で利用下さい。

■ X-700には、AEロック機能無しと、AEロック機能付の2種類ありますが、このパーツリストは、AEロック機能付のX-700を基本にまとめてあります。

AEロック機能無しX-700については、P. 35~P. 40に専用部品表としてまとめてあります。

■ 2017-100 (Chrome model) については、Page 20に専用部品表としてまとめています。

記載以外は、2017-200と共通ですので、Page 1~Page 17を参照して下さい。

尚、2017-100には、AEロック回路が無い為、フレキシブル基板セット、リード線の配線はそれぞれPage 39, Page 40を参照して下さい。

I N D E X

Part No.	Page	Part No.	Page	Part No.	Page
★ 2017-0103-----	8,37	2017-0216-----	16	2017-0302-----	1
2017-0110-----	3	2017-0218-----	16	2017-0307-----	12
2017-0113-----	4,14	2017-0219-----	16	2017-0308-----	12
※ 2017-0119-----	20	2017-0226-----	17	2017-0310-----	12
2017-0120-----	1	2017-0227-----	17	2017-0312-----	12
★ 2017-0130-----	4,36	2017-0229-----	17	2017-0322-----	12
※ 2017-0131-----	20	2017-0242-----	17	2017-0328-----	12
2017-0132-----	2	2017-0248-----	1	2017-0331-----	13
※ 2017-0139-----	20	2017-0249-----	4	2017-0338-----	12
2017-0132-----	2	※ 2019-0251-----	20	2017-0341-----	11
2006-0140-----	3	2017-0252-----	9	2017-0345-----	11
2017-0140-----	1	2017-0253-----	16	2017-0350-----	13
2017-0151-----	2	2017-0255-----	5	2017-0352-----	13
2017-0153-----	8	2017-0256-----	9	2019-0396-----	1
2017-0163-----	6	2017-0258-----	16		
2024-0166-----	4	2017-0259-----	1	★ 2017-0401-----	15,39
2017-0175-----	6	2019-0260-----	1	2017-0404-----	15
		2017-0267-----	16	2017-0407-----	4
2017-0201-----	16	2017-0274-----	15	2017-0412-----	15
2017-0207-----	16	2017-0276-----	15	2017-0415-----	1
2017-0209-----	17	2017-0281-----	1	※ 2017-0416-----	20
2017-0211-----	16			2017-0417-----	1
2006-0215-----	17	※ 2017-0301-----	20	★ 2017-0418-----	8,37

※ mark shows exclusive part for Chrome model (2017-100).
 ★ mark shows exclusive part for both models, AE lock, non AE lock.

I N D E X

Part No.	Page	Part No.	Page	Part No.	Page
2006-1108-----	3	2017-1346-----	1	2019-2068-----	1
2017-1110-----	14	※2017-1349-----	20	2019-2069-----	1
2017-1111-----	14	2017-1350-----	14	2019-2070-----	2
2006-1112-----	14	※2017-1351-----	20		
2006-1116-----	3	2017-1352-----	2	2017-2104-----	17
2017-1117-----	3	2017-1354-----	1	2017-2105-----	17
2006-1119-----	3	★2017-1365-----	4,38	2017-2108-----	16
				2006-2114-----	17
2017-1202-----	3	2006-2008-----	15	2017-2123-----	17
2017-1203-----	3	2017-2015-----	4	2017-2126-----	17
2017-1204-----	3	2017-2016-----	15	2006-2130-----	17
2017-1205-----	3	2006-2017-----	15	2017-2131-----	17
		2017-2018-----	1	2017-2132-----	17
※2017-1321-----	20	2019-2020-----	1	2006-2143-----	17
2006-1322-----	1	2006-2022-----	1	2006-2144-----	17
2017-1322-----	1	2019-2023-----	1	2017-2147-----	17
※2017-1323-----	20	2019-2053-----	1	2017-2148-----	17
2017-1324-----	1	2017-2054-----	1	2017-2157-----	16
※2017-1325-----	20	2019-2055-----	1	2017-2166-----	16
2017-1326-----	1	2019-2056-----	1	2017-2168-----	16
※2017-1327-----	20	2017-2060-----	1	2017-2183-----	16
2017-1328-----	1	2017-2062-----	1	2006-2184-----	16
2017-1344-----	1	2019-2067-----	1	2017-2184-----	16

※ mark shows exclusive part for Chrome model (2017-100).

★ mark shows exclusive part for both models, AE lock, non AE lock.

I N D E X

Part No.	Page	Part No.	Page	Part No.	Page
2017-0419-----	8	2017-0571-----	9	0031-1027-----	4
2017-0420-----	24	2017-0576-----	6	2017-1030-----	4
2024-0420-----	5	2017-0584-----	9	2017-1031-----	4
2017-0422-----	6			0031-1034-----	4
2017-0423-----	4	2017-0818-----	7	2017-1040-----	14
2017-0425-----	4	2006-0881-----	4	2017-1041-----	14
2017-0430-----	2			2006-1042-----	14
2017-0432-----	6	★ 2017-1005-----	6,38	2017-1043-----	14
2017-0436-----	4	2017-1006-----	8	2017-1052-----	2
2017-0451-----	4	2017-1007-----	1	2017-1054-----	2
		2017-1008-----	8	2017-1057-----	2
2017-0505-----	10	2017-1009-----	1	2005-1061-----	6
2017-0508-----	10	2017-1010-----	6	2006-1061-----	2
2017-0510-----	7	2006-1011-----	6	2005-1062-----	6
2017-0512-----	9	2006-1014-----	8	2017-1062-----	2
2017-0517-----	10	★ 2017-1015-----	4,36	2005-1063-----	6
2017-0519-----	10	★ 2017-1016-----	4,38	2017-1064-----	6
2017-0521-----	10	2017-1017-----	2	2019-1066-----	24
2017-0523-----	9	2006-1018-----	2	2017-1068-----	2
2017-0534-----	8	★ 2017-1021-----	4,36	2017-1069-----	2
2017-0542-----	7	2017-1023-----	4	2017-1070-----	2
2017-0550-----	7	★ 2017-1024-----	4,36		
2017-0570-----	9	2017-1025-----	4	2006-1106-----	3

★mark shows exclusive part for both models, AE lock, non AE lock.

I N D E X

Part No.	Page	Part No.	Page	Part No.	Page
2017-2185-----	17	2017-3005-----	1	2017-3066-----	12
2017-2189-----	16	2006-3009-----	12		
2017-2191-----	16	2017-3010-----	5	※ 2019-3301-----	20
2017-2192-----	16	2017-3013-----	1	2019-3303-----	1
		2017-3020-----	12	2017-3304-----	14
2017-2204-----	16	2017-3021-----	12	2019-3306-----	1
2017-2205-----	8,16	2017-3024-----	5	2019-3308-----	14
2017-2212-----	16	2017-3025-----	12	2017-3309-----	14
2019-2291-----	8	2017-3026-----	12	2019-3311-----	1
2017-2517-----	9	2017-3027-----	12	2017-3312-----	14
2017-2519-----	9	2017-3032-----	12		
2017-2520-----	9	2017-3037-----	13	2017-3403-----	11
2017-2577-----	9	2006-3040-----	12	2017-3404-----	11
2017-2585-----	6	★ 2017-3041-----	13,38	2017-3405-----	11
		★ 2017-3042-----	13,38	2017-3407-----	11
2006-2718-----	16	2017-3048-----	12	2017-3410-----	11
2006-2749-----	16	2017-3051-----	13	2017-3414-----	11
2006-2758-----	16	2006-3053-----	13	2017-3416-----	11
2006-2762-----	16	2006-3055-----	13	2017-3421-----	13
2006-2773-----	16	2017-3056-----	12	2017-3422-----	11
7991-3001-----	1	2017-3057-----	12		
2019-3002-----	21	2017-3058-----	12	2017-3424-----	11
※ 2006-3003-----	20	2017-3065-----	12		

※ mark shows exclusive part for Chrome model (2017-100).
 ★ mark shows exclusive part for both models, AE lock, non AE lock.

I N D E X

Part No.	Page	Part No.	Page	Part No.	Page
2017-4037-----	26	2017-5014-----	7	2017-5164-----	10
2017-4191-----	4	2017-5015-----	7		
		2017-5016-----	7	2017-5805-----	7
2017-4209-----	15	2017-5017-----	7	2019-5806-----	10
2017-4216-----	5	2017-5018-----	7	2017-5814-----	6
2017-4222-----	5	2017-5019-----	10	2009-5870-----	6
2017-4255-----	14	2017-5023-----	10		
2017-4256-----	2	2017-5025-----	10	2017-9001-----	10
		2017-5026-----	10	2005-9005-----	9
2017-4301-----	18,39	2017-5027-----	10	2017-9011-----	12
2017-4302-----	18,39	2017-5028-----	10	2017-9012-----	12
★ 2017-4303-----	18,39	2017-5029-----	10	☆ 2017-9014-----	37
2017-4304-----	18,39	2017-5030-----	10	2017-9018-----	15
2017-4305-----	18,39	2017-5031-----	7		
2017-4344-----	6	2017-5032-----	7	2006-9103-----	8
		2017-5034-----	7	2017-9106-----	7
2017-4401-----	19	2009-5038-----	8	2017-9107-----	8
2017-4402-----	19	2006-5039-----	7	2017-9108-----	12
		2009-5080-----	6	2006-9109-----	3
2017-5006-----	4			※ 2006-9110-----	20
2017-5008-----	4	2017-5106-----	9	2006-9112-----	2
2017-5011-----	7	2017-5113-----	10	2017-9113-----	5
2017-5013-----	7	2017-5121-----	9	2017-9114-----	4

※ mark shows exclusive part for Chrome model (2017-100).
 ★ mark shows exclusive part for both models, AE lock, non AE lock.
 ☆ mark shows exclusive part for model of non AE lock.

I N D E X

Part No.	Page	Part No.	Page	Part No.	Page
2017-9120-----	6	9612-1625-02-----	8,9	9761-2060-07-----	5
2006-9121-----	14	9612-1625-07-----	16		
		9612-1628-07-----	4	9762-1725-07-----	24
2017-9245-----	2	9612-1630-07-----	6	9762-1730-07-----	24
2006-9401-----	14	9612-1632-12-----	12	9762-1735-07-----	14
2017-9430-----	11	9612-1635-07-----	6	9762-1740-07-----	7
2017-9441-----	12	9612-1650-07-----	15	9762-1745-07-----	1,4
2017-9443-----	5	9612-1675-01-----	8	9762-2040-07-----	12
		9612-1680-07-----	4	9762-2045-07-----	14
		9612-2080-07-----	4,14	9762-2060-07-----	11
Screw					
9611-1616-07-----	2	9613-1418-07-----	17	9763-1735-07-----	4
9611-1616-12-----	10	9613-1645-01-----	2	9763-1755-07-----	21
9611-1620-07-----	4,6	9613-1675-01-----	8	9765-1740-07---	4,7,25
9611-1625-01-----	8	9613-1416-07-----	17		
9611-1625-07-----	6			E-ring	
9611-1630-04-----	14	9761-1425-07-----	1	9721-0120-13--	9,16,17
9611-2030-01-----	5	9761-1725-07-----	12	9721-0150-13--	13,16,17
9611-2040-04-----	6	9761-1730-07-----	4,5	9721-0200-13-----	5
		9761-1740-07-----	14		
9612-1616-01-----	9	9761-2035-07-----	5	Steel ball	
9612-1616-07--	10,25,29	9761-2040-07-----	13	9758-0150-00-----	2
9612-1620-07---	9,10,16	9761-2050-07-----	4,5		
9612-1625-01-----	16				

I N D E X

Part No.	Page	Part No.	Page	Part No.	Page
9791-1830-40-----	9	9391-0507-02----	19,40	9422-2046-62----	18,39
9791-2140-40-----	17	9391-0507-03----	19,40	9422-2736-62-----	18
		9391-0507-04----	19,40	9422-3036-62----	18,39
9792-1735-40-----	5,24	9391-0507-05----	19,40	9422-3336-62----	18,39
9792-2140-40-----	8,12	9391-0507-06----	19,40	9422-3616-62----	18,39
9793-1840-86-----	4	9391-0507-07----	19,40	9422-3636-62----	18,39
9794-1640-50-----	9	9391-0507-08----	19,40	9422-3916-62----	18,39
9795-3155-87-----	2			9422-3936-62----	18,39
		9391-0807-00----	19,40	9422-4336-62----	18,39
L.E.D.		9391-0807-01----	19,40	9422-4736-62----	18,39
9353-2642-01-----	8	9391-0807-02----	19,40	9422-5636-62----	18,39
		9391-0807-03----	19,40	9422-6836-62----	18,39
Transistor		9391-0807-04----	19,40	9422-9106-62----	18,39
9363-1032-01----	18,39	9391-0807-05----	19,40		
9363-1032-02----	18,39	9391-0807-06----	19,40	9432-1046-62-----	18
9363-1032-03----	18,39	9391-0807-07----	19,40	9432-1226-61-----	18
		9391-0807-08----	19,40		
Crystal resonator		9391-0807-09----	19,40	9432-2026-61----	18,39
9373-4161-01----	18,39			9432-2046-62-----	18
		Fixed resistor		9432-2068-61----	18,39
Leas wire		9422-1026-62----	18,39	9432-2426-61----	18,39
9391-0507-00----	19,40	9422-1046-62----	18,39	9432-2436-62-----	18
9391-0507-01----	19,40	9422-1546-62----	18,39	9432-2726-61----	18,39

I N D E X

Part No.	Page	Part No.	Page
9432-2736-62-----	18,39	9534-6845-61-----	18,39
9432-3026-61-----	18,39	9535-1555-36-----	18,39
9432-3336-62-----	18	9535-4745-36-----	18
9432-3357-61-----	18,39	9535-6845-36-----	39
9432-3926-61-----	18,39	9564-1025-61-----	18,39
9432-3936-62-----	18	9564-1514-62-----	18
9432-5126-61-----	18,39	9564-3005-62-----	18,39
9432-5136-62-----	18	9564-3324-61-----	18,39
9432-5626-61-----	18,39	9565-0200-61-----	18,39
9432-6226-61-----	18,39	9565-1234-61-----	18,39
9432-6826-61-----	18,39	9565-4738-64-----	18,39
9432-6836-61-----	18		
9432-7526-61-----	18,39		

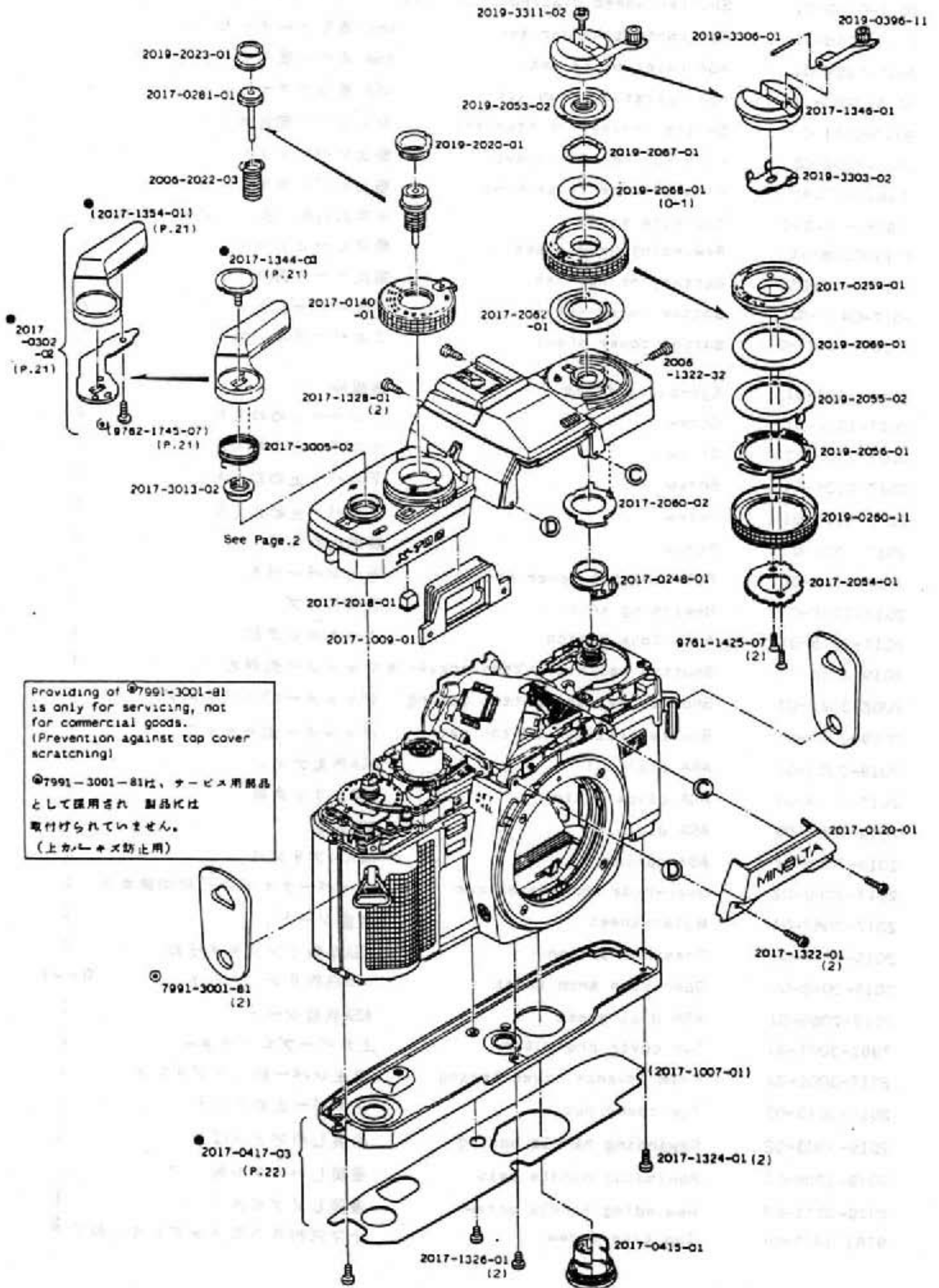
Variable resistor

☆9472-2039-65-----	39
9472-2239-63-----	18,39
9472-3329-63-----	18,39

Condenser

9531-1075-63-----	18,39
9531-1575-61-----	18,39
9533-3355-63-----	18,39

☆mark shows exclusive part for model of non AE lock.

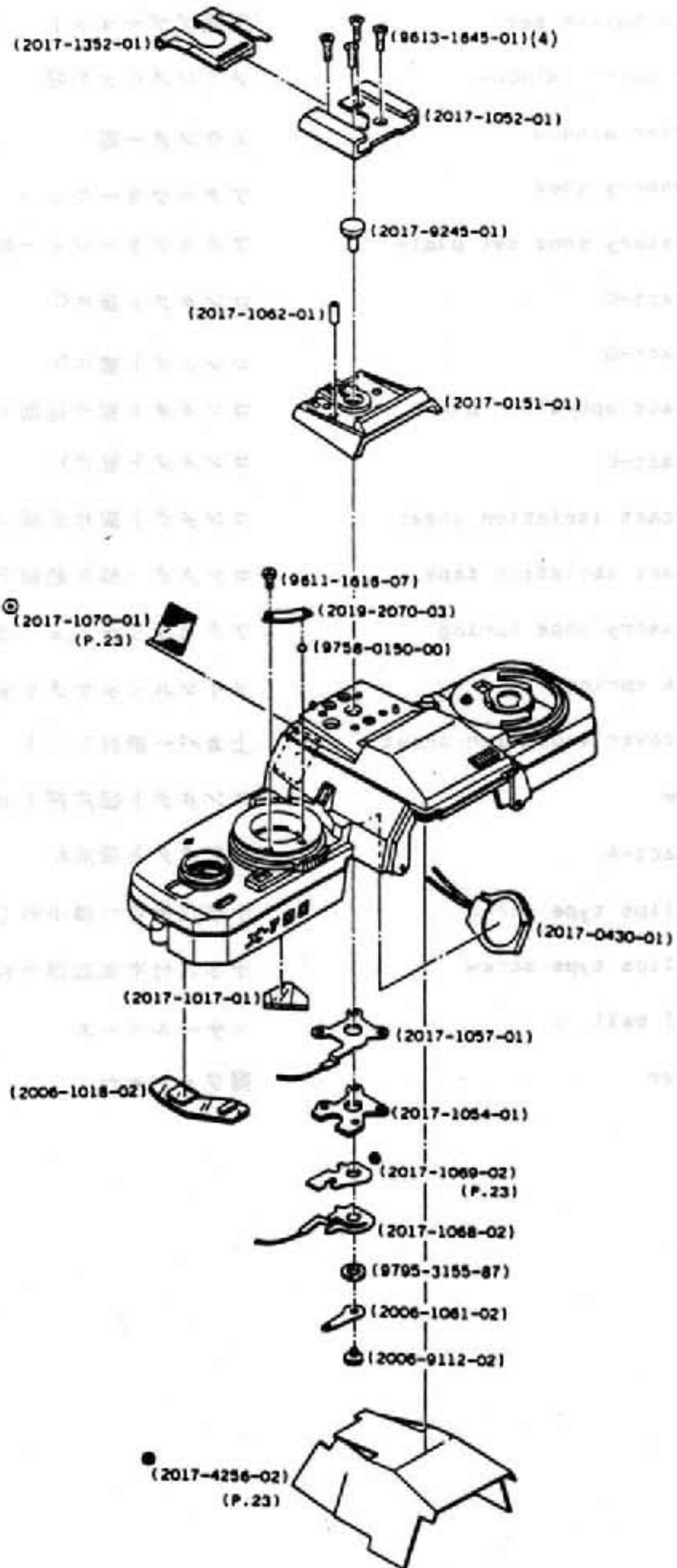


Providing of 7991-3001-81 is only for servicing, not for commercial goods. (Prevention against top cover scratching)

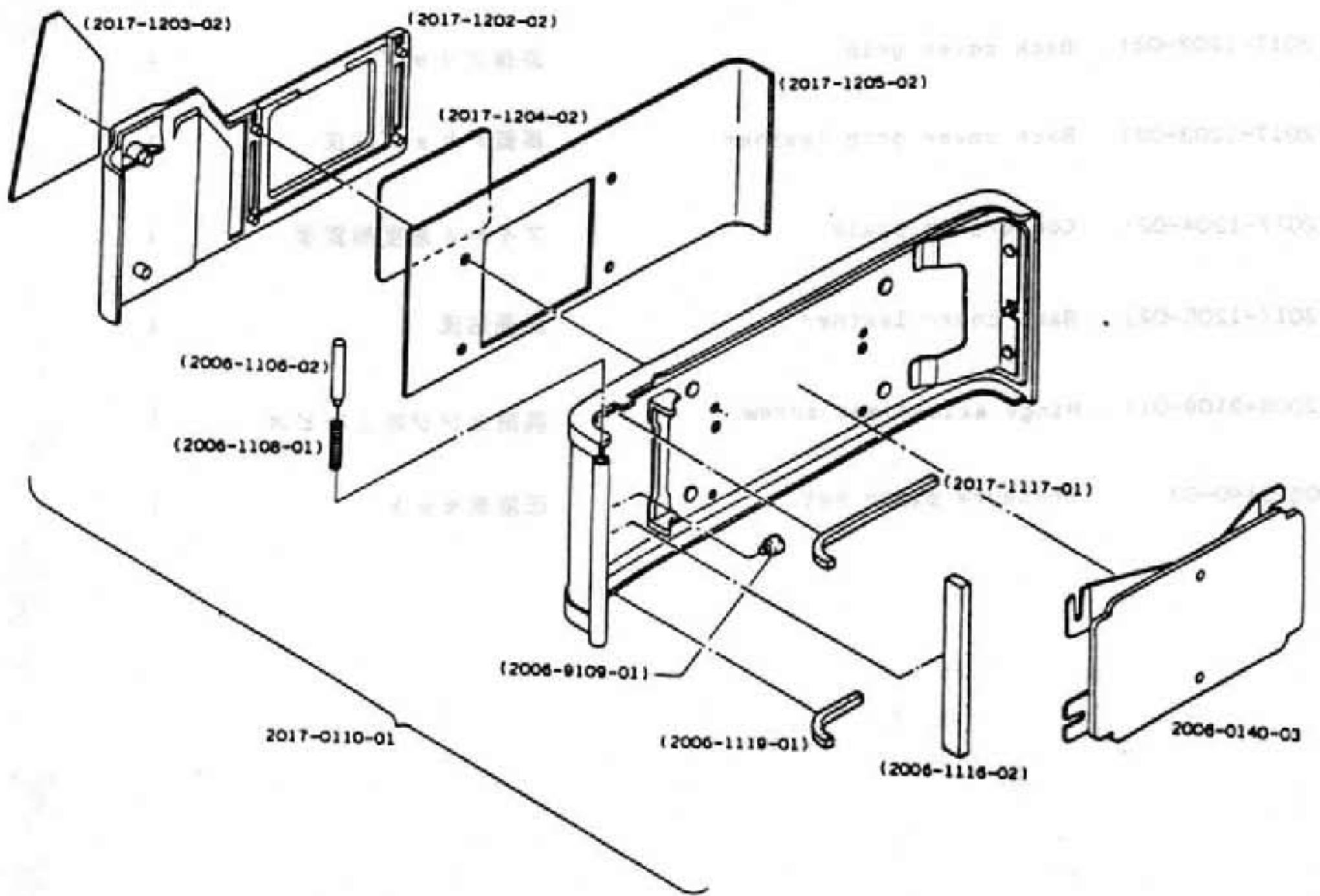
7991-3001-81は、サービス用部品として採用され 製品には取付けられていません。(上カバーキズ防止用)

Part No.	Part Name		Qty
2017-0120-01	Front top cover set	上部正面カバーセット	1
2017-0140-01	Shutter speed dial/Function selector	シャッターダイヤルセット	1
2017-0248-01	ASA contact holder set	ASA 接片ホルダーセット	1
2017-0259-01	ASA cover plate set	ASA カバー板セット	1
2019-0260-11	ASA operation knob set	ASA 操作ノブセット	1
2017-0281-01	Shutter release button set	シャッター釦軸セット	1
2017-0302-02	Film advance lever set	巻上レバーセット	1
(2017-1354-01)	Film advance lever knob	巻上レバー指当て	1
(9762-1745-07)	Tap tite screw	十字穴付なべ頭タップタイトねじ	1
2019-0396-11	Rewinding handle set	巻戻しハンドセット	1
2017-0415-01	Battery holder set	電池ケース蓋セット	1
2017-0417-03	Bottom cover set	下カバーセット	1
(2017-1007-01)	Bottom cover sheet	下カバー保護シート	1
2017-1009-01	Eye-piece frame	接眼枠	1
2017-1322-01	Screw	上カバー止めねじA	2
2006-1322-32	Screw	上カバー止めねじB	1
2017-1324-01	Screw	下カバー止めねじA	2
2017-1326-01	Screw	下カバー止めねじB	2
2017-1328-01	Screw	接眼止めねじ	2
2017-1344-03	Film advance lever pressure	巻上レバー押え	1
2017-1346-01	Rewinding knob	巻戻しノブ	1
2017-2018-01	Auto lock button	オートロック釦	1
2019-2020-01	Shutter release button pressure	シャッター釦押え	1
2006-2022-03	Shutter release button spring	シャッター釦スプリング	1
2019-2023-01	Shutter release button cap	シャッター釦キャップ	1
2019-2053-02	ASA dial nut	ASA押えナット	1
2017-2054-01	ASA click plate	ASAクリック板	1
2019-2055-02	ASA dial	ASA銘板	1
2019-2056-01	ASA spring	ASAスプリング	1
2017-2060-02	Over-ride changeover cam	オーバーライド表示用切換カム	1
2017-2062-01	Mylar sheet	防塵シート	1
2019-2067-01	Pressure spring	ASA操作リング押えばね	1
2019-2068-01	Operation knob sheet	ASA操作リングシート	0~1
2019-2069-01	ASA dial sheet	ASA銘板シート	1
7991-3001-81	Top cover protector	上カバープロテクター	2
2017-3005-02	Film advance lever spring	巻上レバー戻しスプリング	1
2017-3013-02	Top cover nut	上カバー止めナット	1
2019-3303-02	Rewinding handle spring	巻戻しハンドルばね	1
2019-3306-01	Rewinding handle axis	巻戻しハンドル軸	1
2019-3311-02	Rewinding handle screw	巻戻しノブビス	1
9761-1425-07	Tap tite screw	十字穴付なべ頭タップタイトねじ	2

Assy. Part No.2017-0132-01

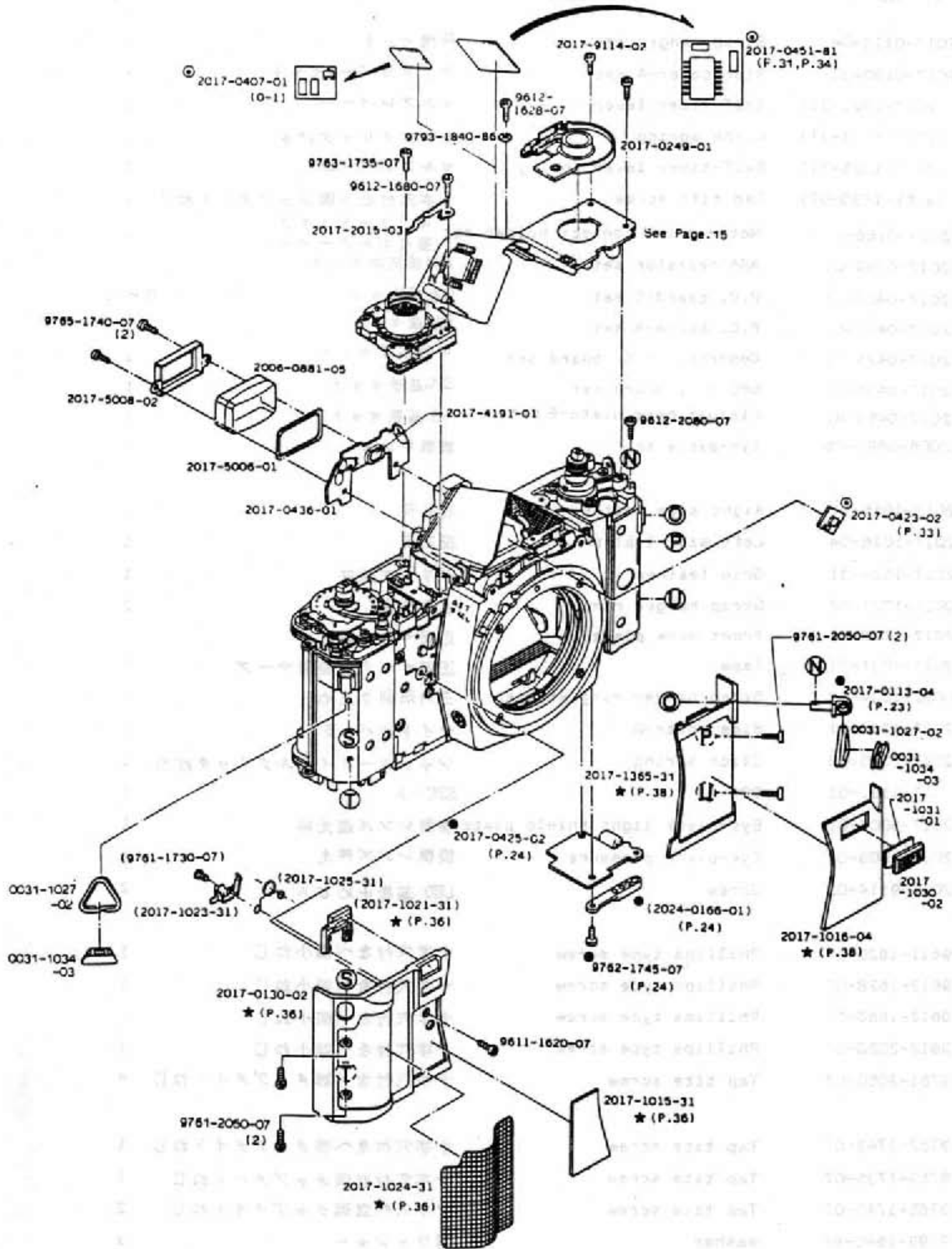


Part No.	Part Name		Qty
2017-0132-01	Top cover set	上カバーセット	1
(2017-0151-01)	Accessory shoe base set	アクセサリーシュー座セット	1
(2017-0430-01)	Piezo buzzer set	圧電ブザーセット	1
(2017-1017-01)	Main switch window	メインスイッチ窓	1
(2006-1018-02)	Counter window	カウンター窓	1
(2017-1052-01)	Accessory shoe	アクセサリーシュー	1
(2017-1054-01)	Accessory shoe set plate	アクセサリーシュー取付板	1
(2017-1057-01)	Contact-C	コンタクト接片C	1
(2006-1061-02)	Contact-D	コンタクト接片D	1
(2017-1062-01)	Contact operation pin	コンタクト接片運動ピン	1
(2017-1068-02)	Contact-E	コンタクト接片E	1
(2017-1069-02)	Contact isolation sheet	コンタクト接片絶縁シート	1
(2017-1070-01)	Contact isolation tape	コンタクト接片絶縁テープ	1
(2017-1352-01)	Accessory shoe spring	アクセサリーシューばね	1
(2019-2070-03)	Click spring	メインスイッチクリックばね	1
(2017-4256-02)	Top cover isolation sheet	上カバー絶縁シート	1
(2006-9112-02)	Screw	コンタクト接片押えビス	1
(2017-9245-01)	Contact-A	コンタクト接点A	1
(9611-1616-07)	Phillips type screw	十字穴付なべ頭小ねじ	1
(9613-1645-01)	Phillips type screw	十字穴付半丸皿頭小ねじ	4
(9758-0150-00)	Steel ball	スチールボール	1
(9795-3155-87)	Washer	薄ワッシャー	1



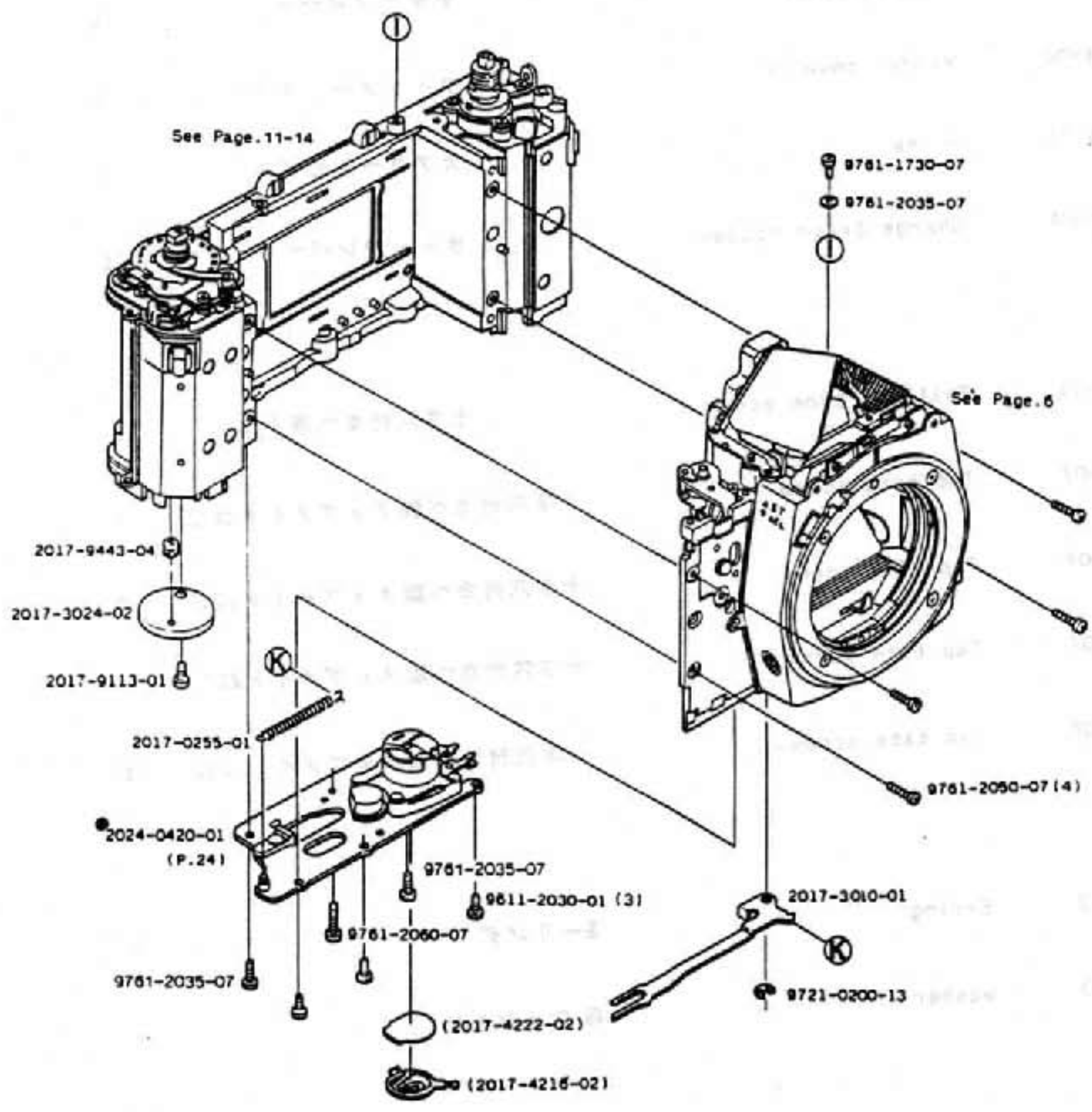
Part No.	Part Name		Qty
2017-0110-01	Back cover set	裏蓋セット	1
(2006-1106-02)	Hinge axis-A	ヒンジ軸A	1
(2006-1108-01)	Hinge spring	ヒンジスプリング	1
(2006-1116-02)	Back cover light shield plate	裏蓋遮光片	1
(2017-1117-01)	Back cover light shield plate-C	裏蓋遮光片C	1
(2006-1119-01)	Back cover light shield plate-B	裏蓋遮光片B	1
(2017-1202-02)	Back cover grip	裏蓋グリップ	1
(2017-1203-02)	Back cover grip leather	裏蓋グリップ貼皮	1
(2017-1204-02)	Conversion scale	フィルム感度換算板	1
(2017-1205-02)	Back cover leather	裏蓋貼皮	1
(2006-9109-01)	Hinge axis-A set screw	裏蓋ヒンジ軸止めビス	1
2006-0140-03	Pressure plate set	圧着板セット	1



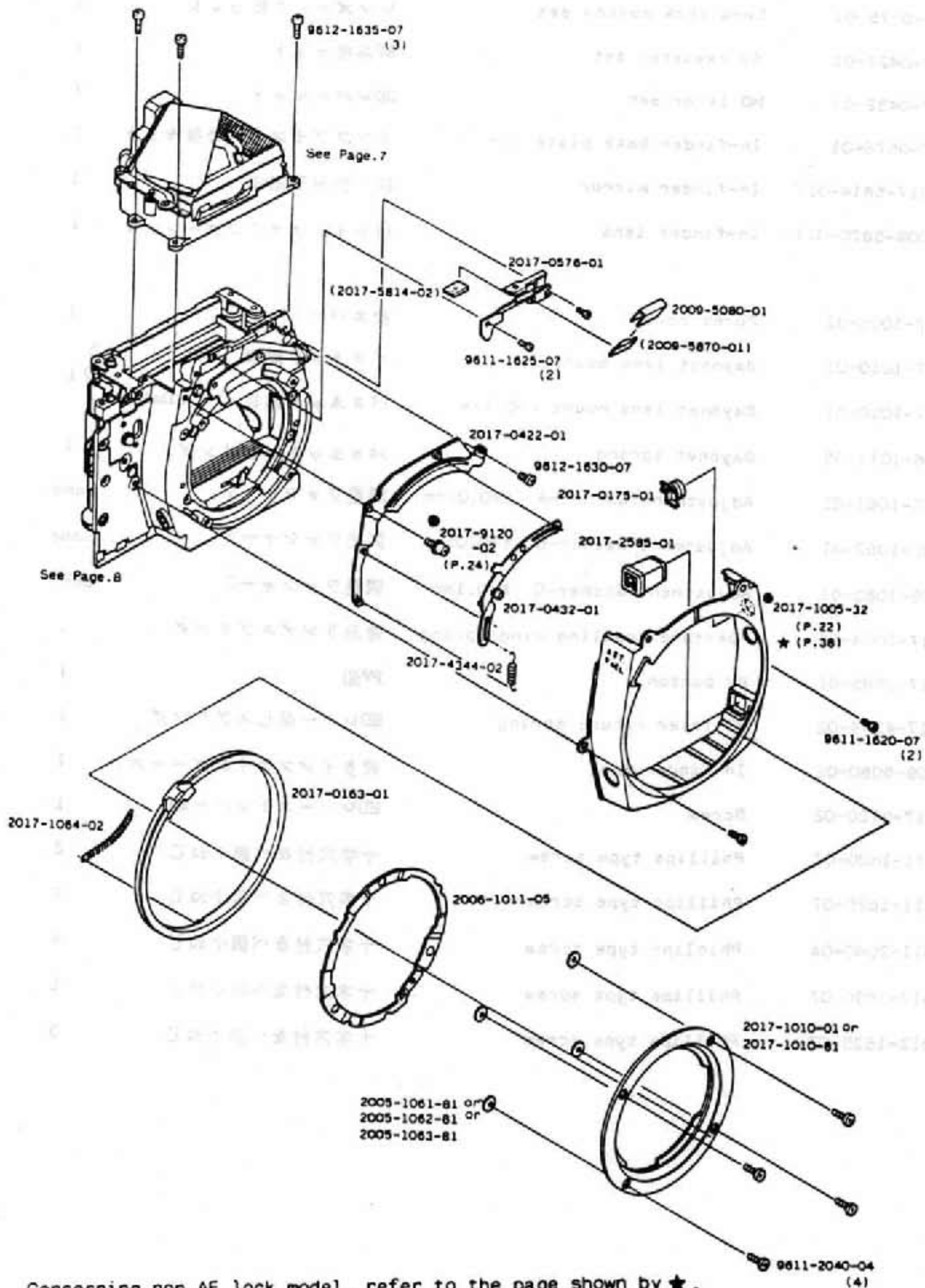


Concerning non AE lock model, refer to the page shown by ★.

Part No.	Part Name		Qty
2017-0113-04	Strap hanger set	吊環セット	1
2017-0130-02	Side cover-A set	サイドカバーAセット	1
(2017-1021-31)	Self-timer lever	セルフレバー	1
(2017-1023-31)	Click spring	セルフクリックバネ	1
(2017-1025-31)	Self-timer lever spring	セルフレバーSP	1
(9761-1730-07)	Tap tite screw	十字穴付なべ頭タップタイトねじ	1
2024-0166-01	Motor drive connect holder set	モータードライブ 接点ホルダーセット	1
2017-0249-01	ASA resistor set	ASA抵抗体セット	1
2017-0407-01	P.C. board-C set	C基板セット	0~1
2017-0423-02	P.C. board-A set	A基板セット	1
2017-0425-02	Connector P.C. board set	中継基板セット	1
2017-0436-01	SPC P.C. board set	SPC基板セット	1
2017-0451-81	Circuit base plate-B set	B基板セット	1
2006-0881-05	Eye-piece set	接眼レンズ	1
2017-1015-31	Right side leather	右貼皮	1
2017-1016-04	Left side leather	左貼皮	1
2017-1024-31	Grip leather	グリップ貼皮	1
0031-1027-02	Strap hanger ring	三角吊環	2
2017-1030-02	Front mark plate	正面マーク板	1
2017-1031-01	Tape	正面マーク板接着テープ	1
0031-1034-03	Strap hanger ring stopper	三角環回り止め	2
2017-1365-31	Side cover-B	サイドカバーB	1
2017-2015-03	Click spring	シャッターダイヤルクリックばね	1
2017-4191-01	SPC-A	SPC-A	1
2017-5006-01	Eye-piece light shield plate	接眼レンズ遮光枠	1
2017-5008-02	Eye-piece pressure	接眼レンズ押え	1
2017-9114-02	Screw	LED 基板止めビス	2
9611-1620-07	Phillips type screw	十字穴付なべ頭小ねじ	1
9612-1628-07	Phillips type screw	十字穴付なべ頭小ねじ	1
9612-1680-07	Phillips type screw	十字穴付なべ頭小ねじ	1
9612-2080-07	Phillips type screw	十字穴付なべ頭小ねじ	1
9761-2050-07	Tap tite screw	十字穴付なべ頭タップタイトねじ	4
9762-1745-07	Tap tite screw	十字穴付なべ頭タップタイトねじ	1
9763-1735-07	Tap tite screw	十字穴付皿頭タップタイトねじ	1
9765-1740-07	Tap tite screw	十字穴付皿頭タップタイトねじ	2
9793-1840-86	Washer	薄ワッシャー	1

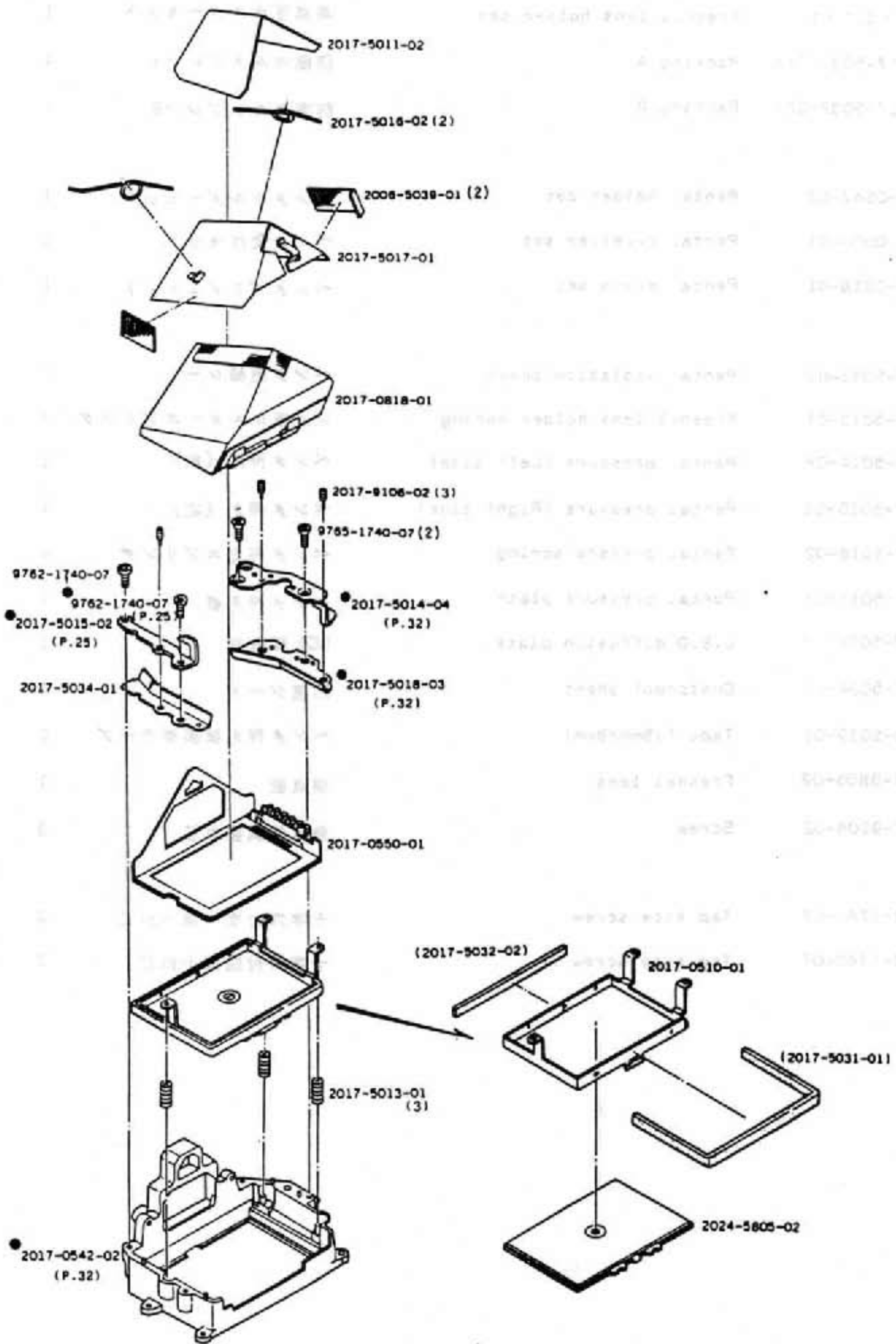


Part No.	Part Name		Qty
2017-0255-01	MP return sub spring-B set	MP戻し補助SP-Bセット	1
2024-0420-01	Battery case base plate set	電池ケース台板セット	1
(2017-4216-02)	Battery contact(+)	電池接片 (+)	1
(2017-4222-02)	Battery light shield plate	電池ケース遮光板	1
2017-3010-01	Charge lever	チャージレバー	1
2017-3024-02	Winder coupler	ワインダーカプラー	1
2017-9113-01	Screw	カプラー止めビス	1
2017-9443-04	Charge lever roller	チャージレバーローラー	1
9611-2030-01	Phillips type screw	十字穴付なべ頭小ねじ	3
9761-1730-07	Tap tite screw	十字穴付なべ頭タップタイトねじ	1
9761-2035-07	Tap tite screw	十字穴付なべ頭タップタイトねじ	2
9761-2050-07	Tap tite screw	十字穴付なべ頭タップタイトねじ	4
9761-2060-07	Tap tite screw	十字穴付なべ頭タップタイトねじ	1
9721-0200-13	E-ring	E-リング	1
9792-1735-40	Washer	薄ワッシャー	1

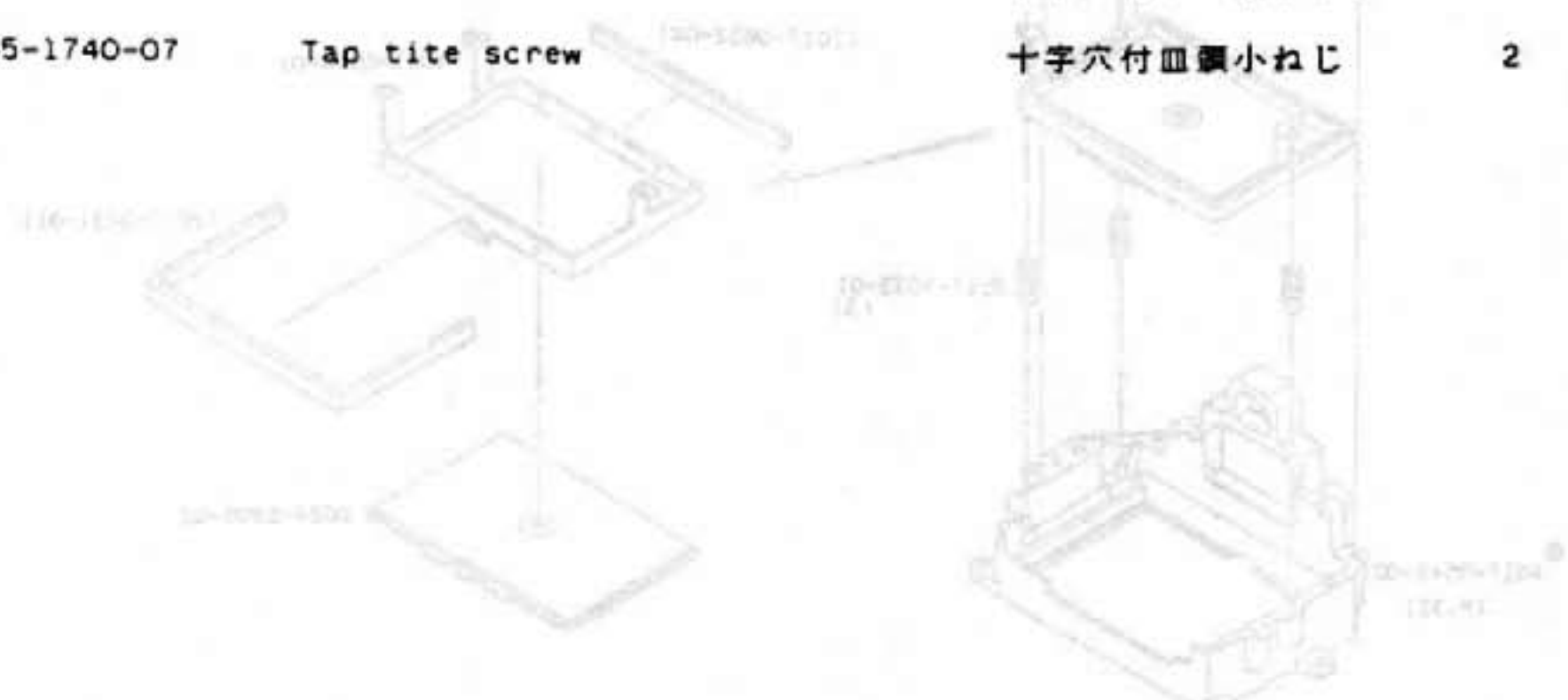


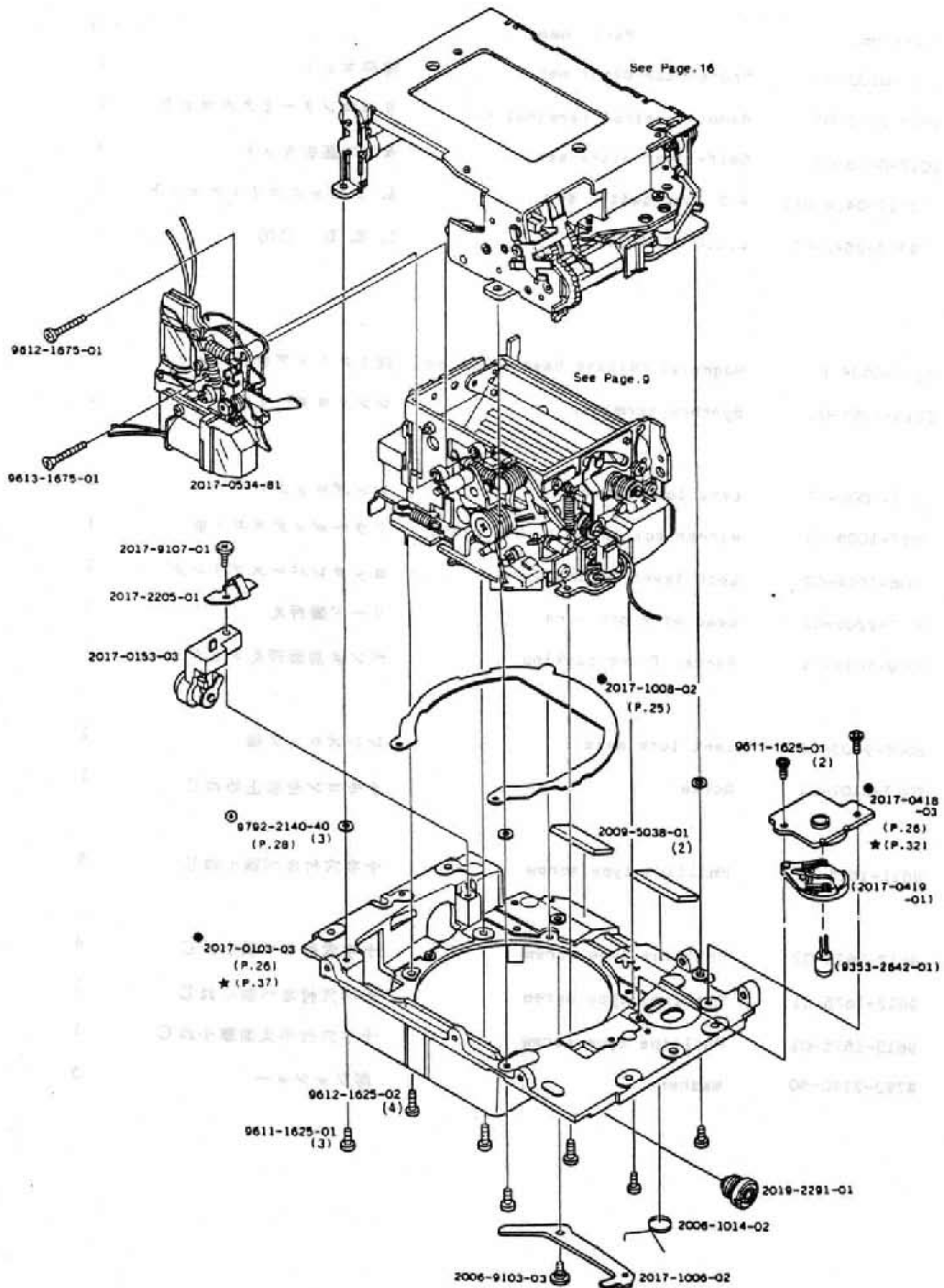
Concerning non AE lock model, refer to the page shown by ★.
 AEロック機能なしモデルは、★マークのページを参照して下さい。

Part No.	Part Name		Qty
2017-0163-01	Aperture coupling ring set	連結リングセット	1
2017-0175-01	Lens lock button set	レンズロック釦セット	1
2017-0422-01	AV resistor set	AV基板セット	1
2017-0432-01	MD lever set	MDレバーセット	1
2017-0576-01	In-finder base plate set	インファインダー台板セット	1
(2017-5814-02)	In-finder mirror	絞り表示平面鏡	1
(2009-5870-01)	In-finder lens	絞りインファインダーレンズ	1
2017-1005-32	Front cover	前カバー	1
2017-1010-01	Bayonet lens mount	バヨネット座板	} 1
2017-1010-81	Bayonet lens mount (-0.1mm)	バヨネット座板 (-0.1mm)	
2006-1011-05	Bayonet spring	バヨネットスプリング	1
2005-1061-81	Adjustment washer-A t=0.02mm	調整ワッシャーA	Some
2005-1062-81	Adjustment washer-B t=0.05mm	調整ワッシャーB	Some
2005-1063-81	Adjustment washer-C t=0.1mm	調整ワッシャーC	Some
2017-1064-02	Aperture coupling ring spring	連結リングスプリング	1
2017-2585-01	PV button	PV釦	1
2017-4344-02	MD lever return spring	MDレバー戻しスプリング	1
2009-5080-01	In-finder mask	絞りインファインダーマスク	1
2017-9120-02	Screw	MDレバーストッパー軸	1
9611-1620-07	Phillips type screw	十字穴付なべ頭小ねじ	2
9611-1625-07	Phillips type screw	十字穴付なべ頭小ねじ	2
9611-2040-04	Phillips type screw	十字穴付なべ頭小ねじ	4
9612-1630-07	Phillips type screw	十字穴付なべ頭小ねじ	1
9612-1635-07	Phillips type screw	十字穴付なべ頭小ねじ	3



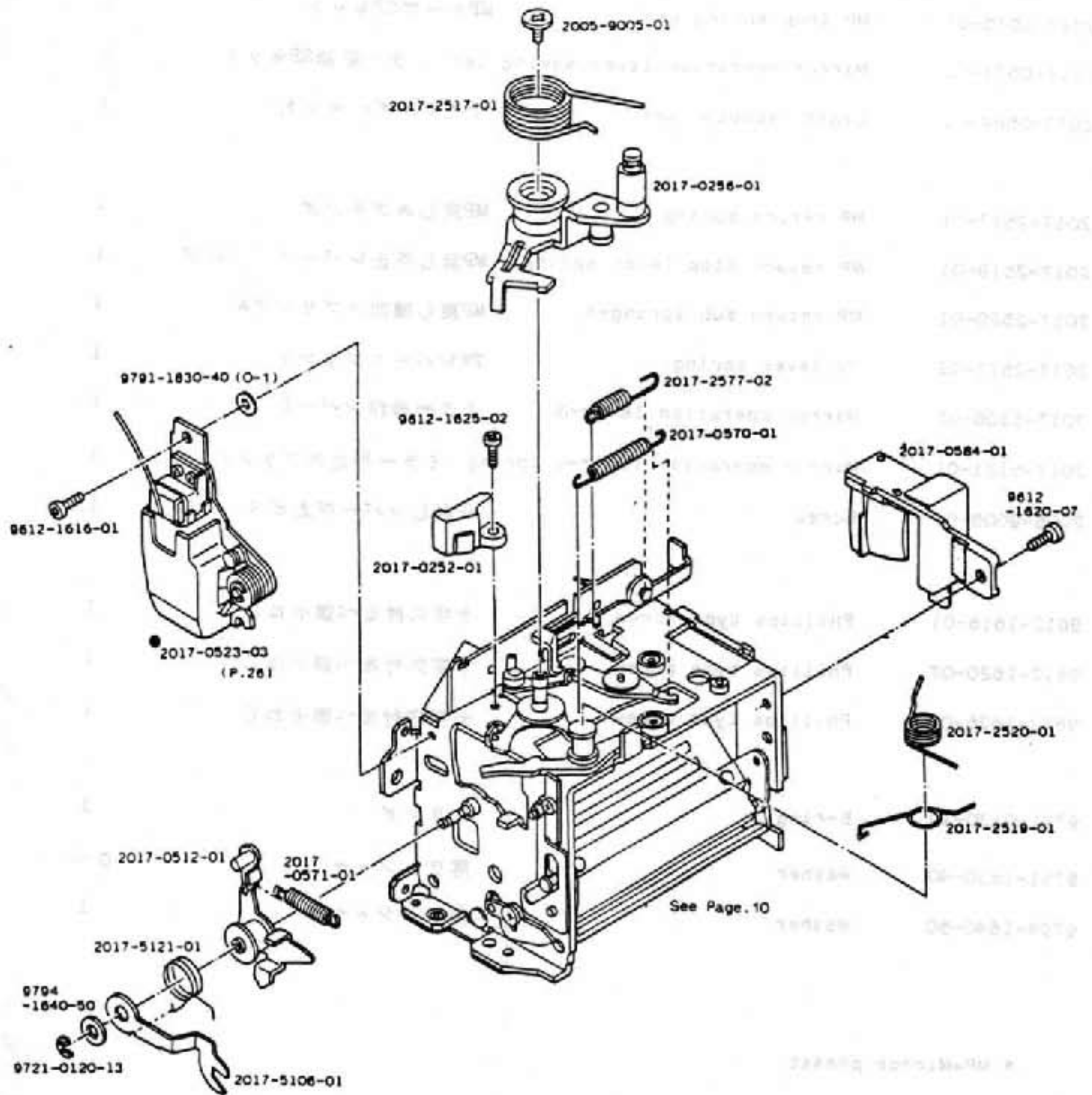
Part No.	Part Name		Qty
2017-0510-01	Fresnel lens holder set	焦点板ホルダーセット	1
(2017-5031-01)	Packing A	防塵モルトブレンA	1
(2017-5032-02)	Packing B	防塵モルトブレンB	1
2017-0542-02	Penta. holder set	ペンタホルダーセット	1
2017-0550-01	Penta. receiver set	ペンタ受けセット	1
2017-0818-01	Penta. prism set	ペンタプリズムセット	1
2017-5011-02	Penta. isolation sheet	ペンタ絶縁シート	1
2017-5013-01	Fresnel lens holder spring	焦点板ホルダースプリング	3
2017-5014-04	Penta. pressure (Left side)	ペンタ押え (左)	1
2017-5015-02	Penta. pressure (Right side)	ペンタ押え (右)	1
2017-5016-02	Penta. pressure spring	ペンタ押えスプリング	2
2017-5017-01	Penta. pressure plate	ペンタ押え板	1
2017-5018-03	L.E.D diffusion plate	LED 拡散板	1
2017-5034-01	Dustproof sheet	防塵シート	1
2006-5039-01	Tape (15mmX9mm)	ペンタ押え板接着テープ	2
2024-5805-02	Fresnel lens	焦点板	1
2017-9106-02	Screw	焦点板調整ねじ	3
9762-1740-07	Tap tite screw	十字穴付なべ頭小ねじ	2
9765-1740-07	Tap tite screw	十字穴付皿頭小ねじ	2





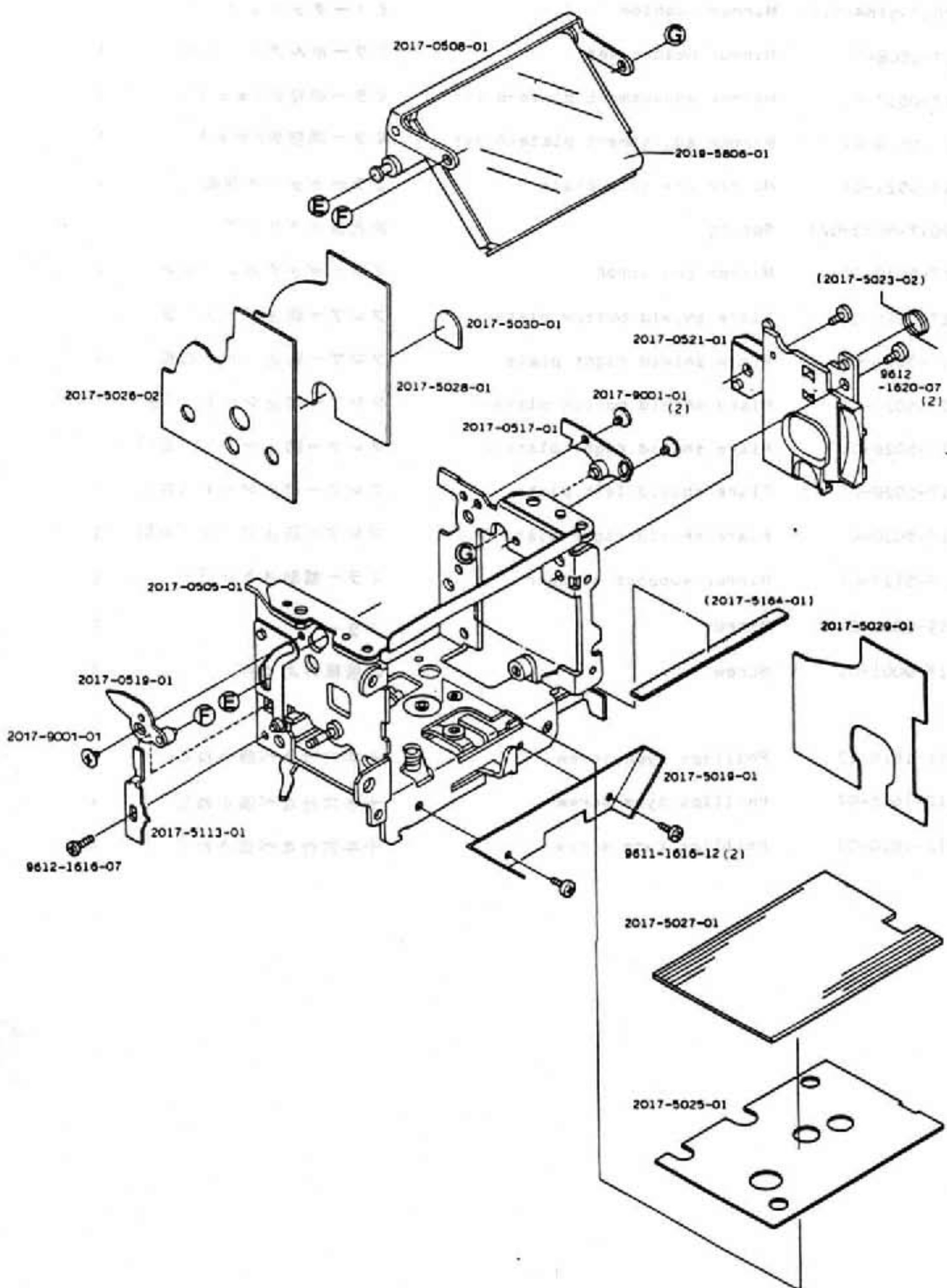
Concerning non AE lock model, refer to the page shown by ★.

Part No.	Part Name		Qty
2017-0103-03	Front base plate set	前枠セット	1
2017-0153-03	Remote control terminal set	リモコンターミナルセット	1
2017-0418-03	Self-timer plate set	セルフ基板セット	1
(2017-0419-01)	A.E lock switch set	A. E ロックスイッチセット	1
(9353-2642-01)	L.E.D (TLR108:LD)	L. E. D (LD)	1
2017-0534-81	Magnetic release base plate set	絞りストップ台板セット	1
2019-2291-01	Synchro terminal	シンクロターミナル	1
2017-1006-02	Lens lock lever	レンズロックレバー	1
2017-1008-02	Mirror box light shield plate	ミラーボックス遮光板	1
2006-1014-02	Lock lever spring	ロックレバースプリング	1
2017-2205-01	Lead wire pressure	リード線押え	1
2009-5038-01	Penta. front packing	ペンタ前面押えクッション	2
2006-9103-03	Lens lock axis	レンズロック軸	1
2017-9107-01	Screw	リモコン台板止めねじ	1
9611-1625-01	Phillips type screw	十字穴付なべ頭小ねじ	5
9612-1625-02	Phillips type screw	十字穴付なべ頭小ねじ	4
9612-1675-01	Phillips type screw	十字穴付なべ頭小ねじ	1
9613-1675-01	Phillips type screw	十字穴付半丸皿頭小ねじ	1
9792-2140-40	Washer	薄ワッシャー	3

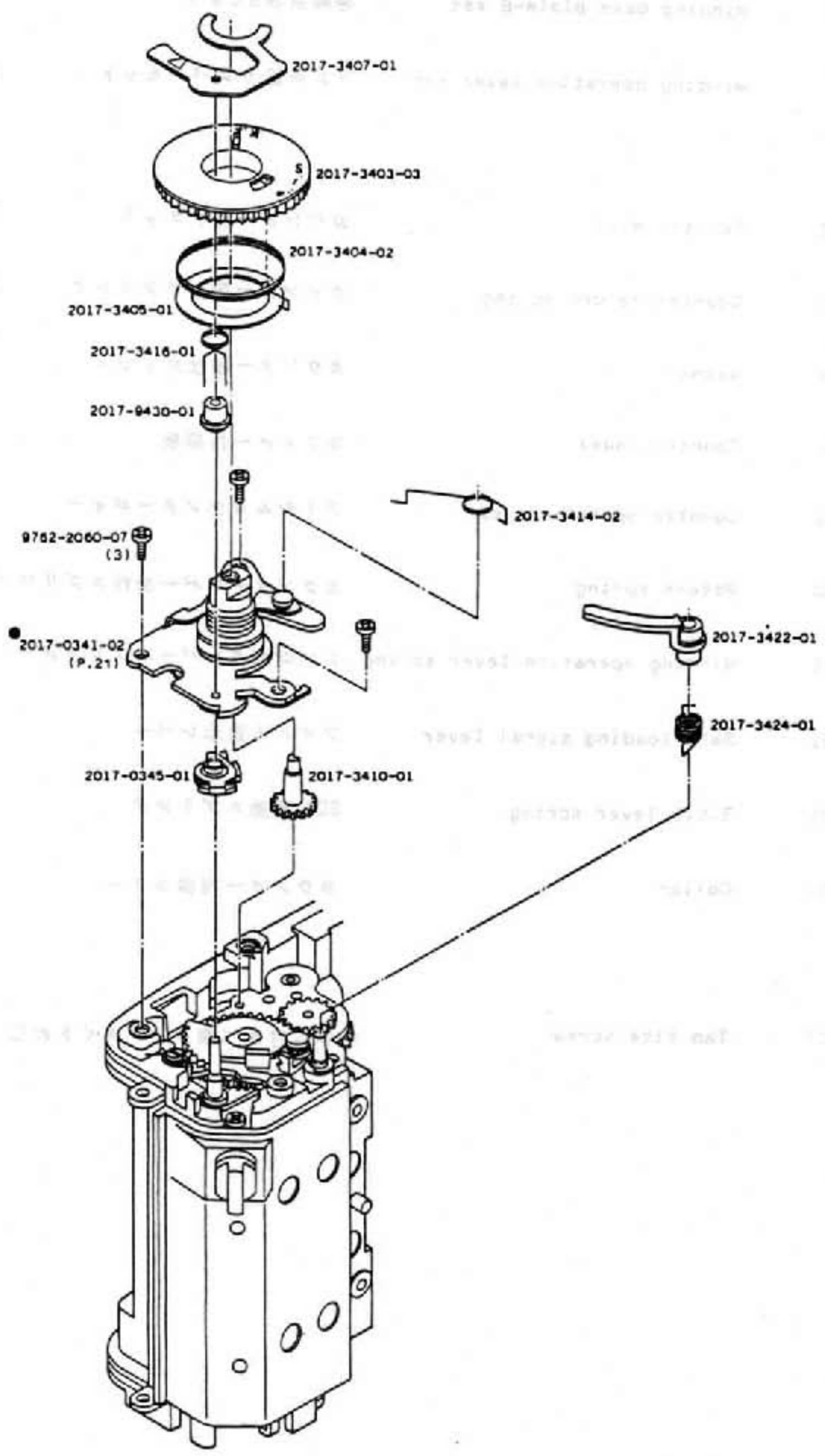


Part No.	Part Name	MP戻し	Qty
2017-0252-01	MP return stopper set	MP戻しストッパーセット	1
2017-0256-01	MP return lever set	MP戻しレバーセット	1
2017-0512-01	Mirror operation lever set	ミラー駆動レバーセット	1
2017-0523-03	Mirror magnet set	ミラーマグネットセット	1
2017-0570-01	MP loop spring set	MPループSPセット	1
2017-0571-01	Mirror operation lever spring set	ミラー駆動SPセット	1
2017-0584-01	Light receptor set	受光ホルダーセット	1
2017-2517-01	MP return spring	MP戻しスプリング	1
2017-2519-01	MP return stop lever spring	MP戻し係止レバースプリング	1
2017-2520-01	MP return sub spring-A	MP戻し補助スプリングA	1
2017-2577-02	PV lever spring	PVレバースプリング	1
2017-5106-01	Mirror operation lever-B	ミラー操作レバー-B	1
2017-5121-01	Mirror operation lever-B spring	ミラー押えスプリング	1
2005-9005-01	Screw	MP戻しレバー押えビス	1
9612-1616-01	Phillips type screw	十字穴付なべ頭小ねじ	1
9612-1620-07	Phillips type screw	十字穴付なべ頭小ねじ	1
9612-1625-02	Phillips type screw	十字穴付なべ頭小ねじ	1
9721-0120-13	E-ring	Eリング	1
9791-1830-40	Washer	薄ワッシャー	0~1
9794-1640-50	Washer	薄ワッシャー	1

* MP=Mirror preset

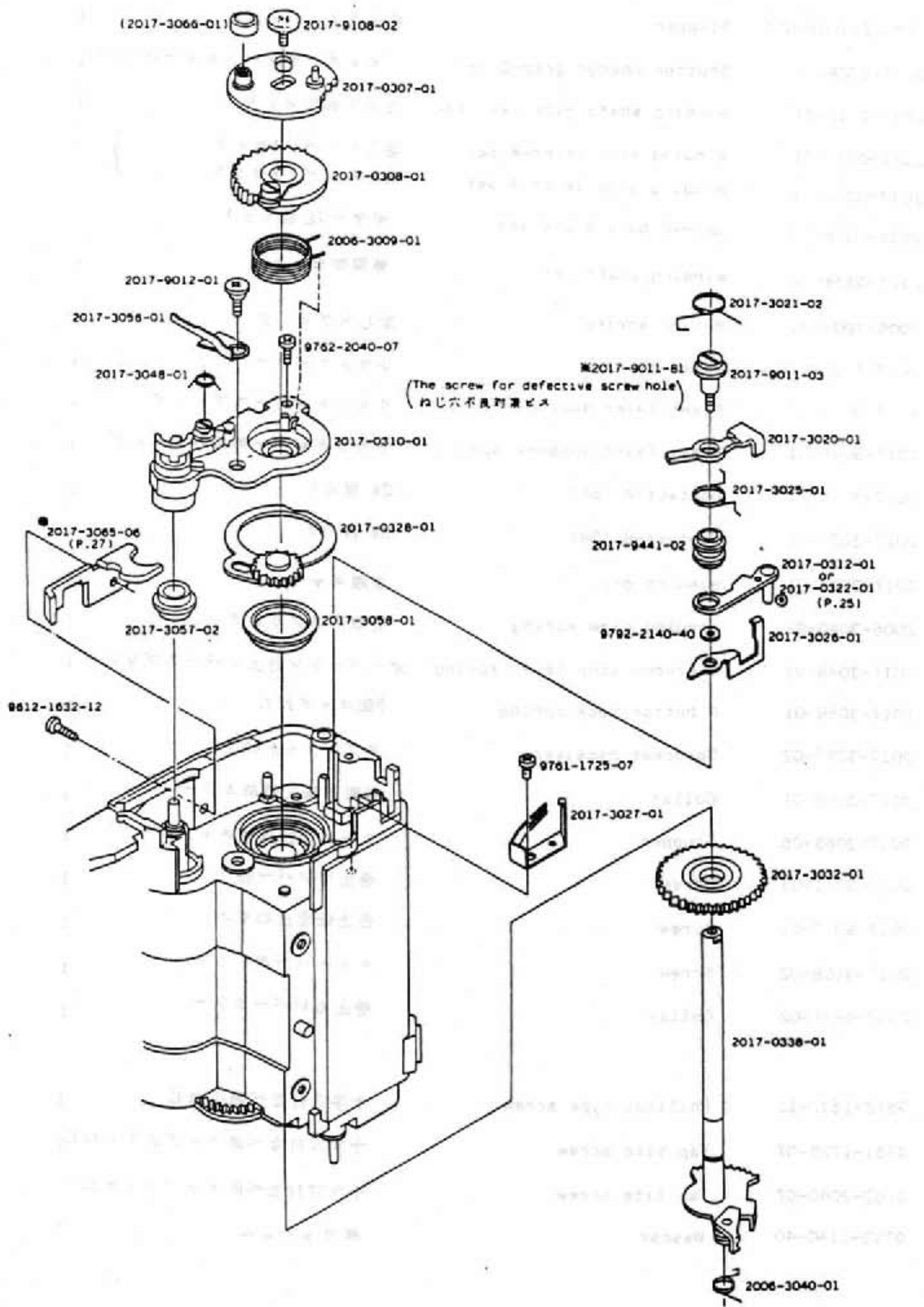


Part No.	Part Name		Qty
2017-0505-01	Mirror box set	ミラーボックスセット	1
(2017-5164-01)	Mirror cushion	ミラークッション	1
2017-0508-01	Mirror holder set	ミラーホルダーセット	1
2017-0517-01	Mirror adjustment plate-B set	ミラー調整板Bセット	1
2017-0519-01	Mirror adjustment plate-A set	ミラー調整板Aセット	1
2017-0521-01	Mirror box side plate	ミラーボックス側板	1
(2017-5023-02)	Spring	透光板スプリング	1
2017-5019-01	Mirror box apron	ミラーボックスエプロン	1
2017-5025-01	Flare shield bottom plate	フレアー防止シート下板	1
2017-5026-02	Flare shield right plate	フレアー防止シート右板	1
2017-5027-01	Flare shield bottom plate-A	フレアー防止シート(下)	1
2017-5028-01	Flare shield right plate-A	フレアー防止シート(右A)	1
2017-5029-01	Flare shield left plate	フレアー防止シート(左)	1
2017-5030-01	Flare shield right plate-B	フレアー防止シート(右B)	1
2017-5113-01	Mirror support stopper	ミラー補助ストッパー	1
2019-5806-01	Mirror	ミラー	1
2017-9001-01	Screw	調整板押えビス	3
9611-1616-12	Phillips type screw	十字穴付なべ頭小ねじ	2
9612-1616-07	Phillips type screw	十字穴付なべ頭小ねじ	1
9612-1620-07	Phillips type screw	十字穴付なべ頭小ねじ	2

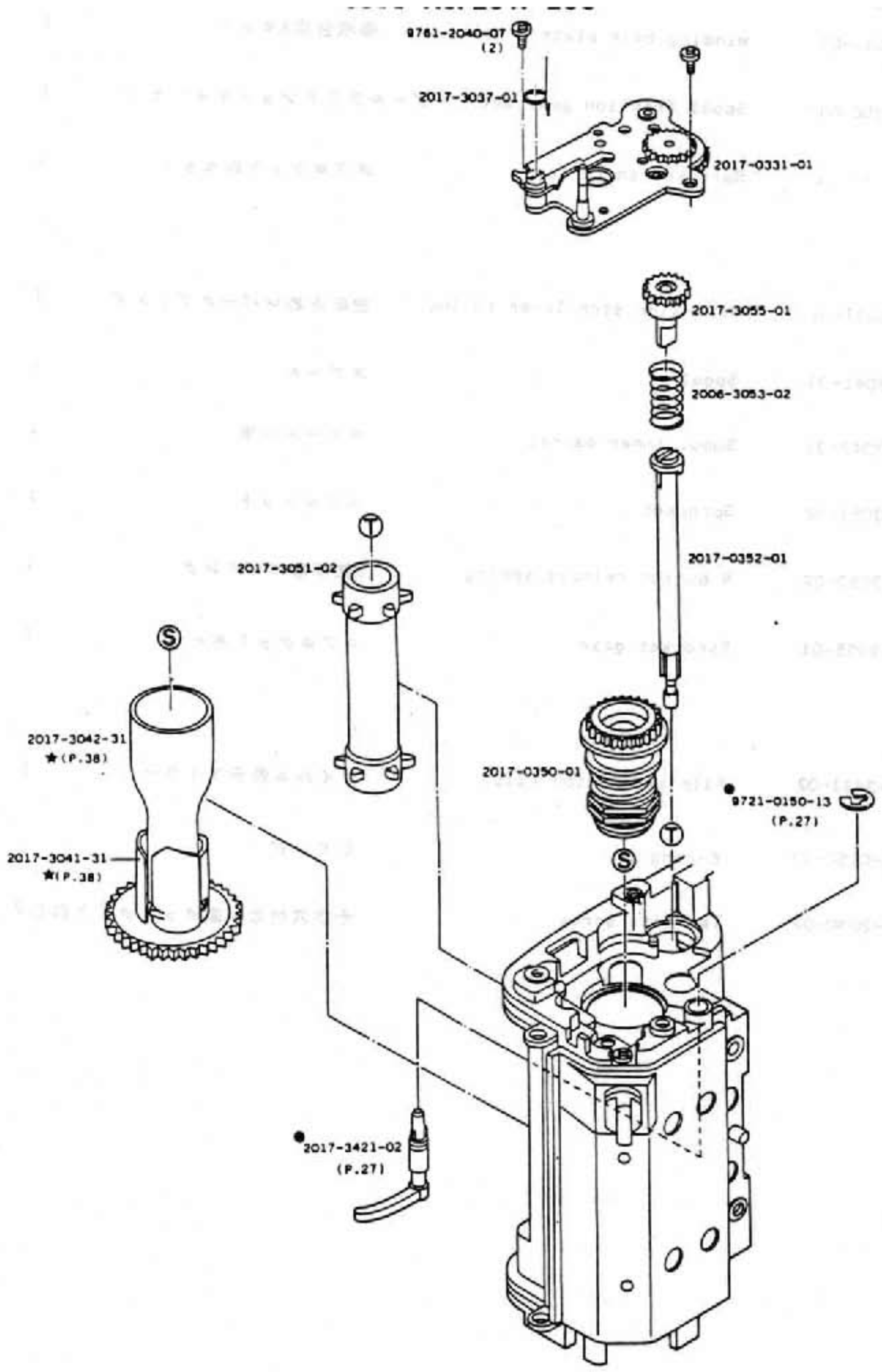


Part No.	Part Name	Qty
2017-0341-02	Winding base plate-B set 巻取台板Bセット	1
2017-0345-01	Winding operation lever set トンボ返りレバーセット	1
2017-3403-03	Counter dial カウンターラチエット	1
2017-3404-02	Counter return spring カウンター戻しスプリング	1
2017-3405-01	Washer カウンター補助ワッシャー	1
2017-3407-01	Counter index カウンター指標板	1
2017-3410-01	Counter operation gear フィルムカウンターギヤー	1
2017-3414-02	Return spring カウンターレバー操作スプリング	1
2017-3416-01	Winding operation lever spring トンボ返りレバースプリング	1
2017-3422-01	Safe loading signal lever フィルム表示レバー	1
2017-3424-01	S.L.S lever spring SLS 駆動スプリング	1
2017-9430-01	Collar カウンター指標カラー	1
9762-2060-07	Tap tite screw 十字穴付なべ頭タップタイトねじ	3





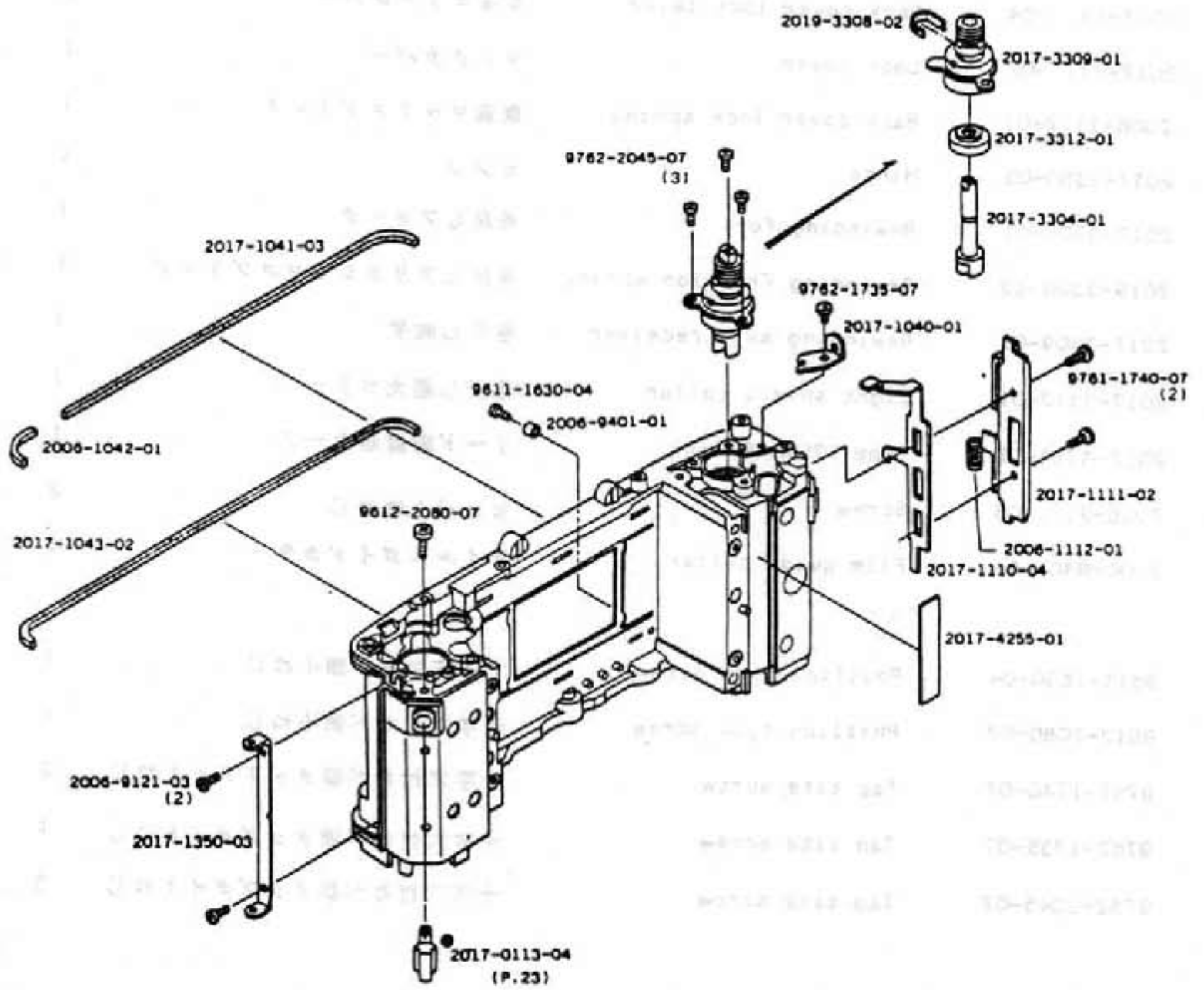
Part No.	Part Name		Qty
2017-0307-01	Charge operation plate set	チャージ操作板セット	1
(2017-3066-01)	Stopper	巻上ストッパーゴム	1
2017-0308-01	Shutter charge gear-D set	シャッターチャージギヤ-Dセット	1
2017-0310-01	Winding shaft receiver set	巻取下軸受セット	1
2017-0312-01	Winding stop lever-A set	巻止めレバーAセット	} 1
2017-0322-01	Winding stop lever-A set	巻止めレバーAセット	
2017-0328-01	Gear-C base plate set	ギヤ-C台板セット	1
2017-0338-01	Winding shaft set	巻取軸セット	1
2006-3009-01	Return spring	戻しスプリング	1
2017-3020-01	Reset lever	リセットレバー	1
2017-3021-02	Reset lever spring	リセットレバースプリング	1
2017-3025-01	Reset lever support spring	リセットレバー補助スプリング	1
2017-3026-01	Contact-A (S4)	S4 接片A	1
2017-3027-01	Contact-B (S4)	S4 接片B	1
2017-3032-01	Winding gear	巻取ギヤ	1
2006-3040-01	Winding claw spring	巻取爪スプリング	1
2017-3048-01	Over-run stop lever spring	オーバーラン防止レバースプリング	1
2017-3056-01	R button lock spring	R釦ロックばね	1
2017-3057-02	Sprocket receiver	スプロケット軸受	1
2017-3058-01	Collar	巻取下軸受補助カラー	1
2017-3065-06	Stopper	チャージ操作板ストッパー	1
2017-9011-03	Screw	巻止めレバー軸	1
2017-9012-01	Screw	巻上軸受止めビス	1
2017-9108-02	Screw	チャージ板押えビス	1
2017-9441-02	Collar	巻止めレバーカラー	1
9612-1632-12	Phillips type screw	十字穴付なべ頭小ねじ	1
9761-1725-07	Tap tite screw	十字穴付なべ頭タップタイトねじ	1
9762-2040-07	Tap tite screw	十字穴付なべ頭タップタイトねじ	1
9792-2140-40	Washer	薄ワッシャー	1



Concerning non AE lock model, refer to the page shown by ★.
 AEロック機能なしモデルは、★マークのページを参照して下さい。

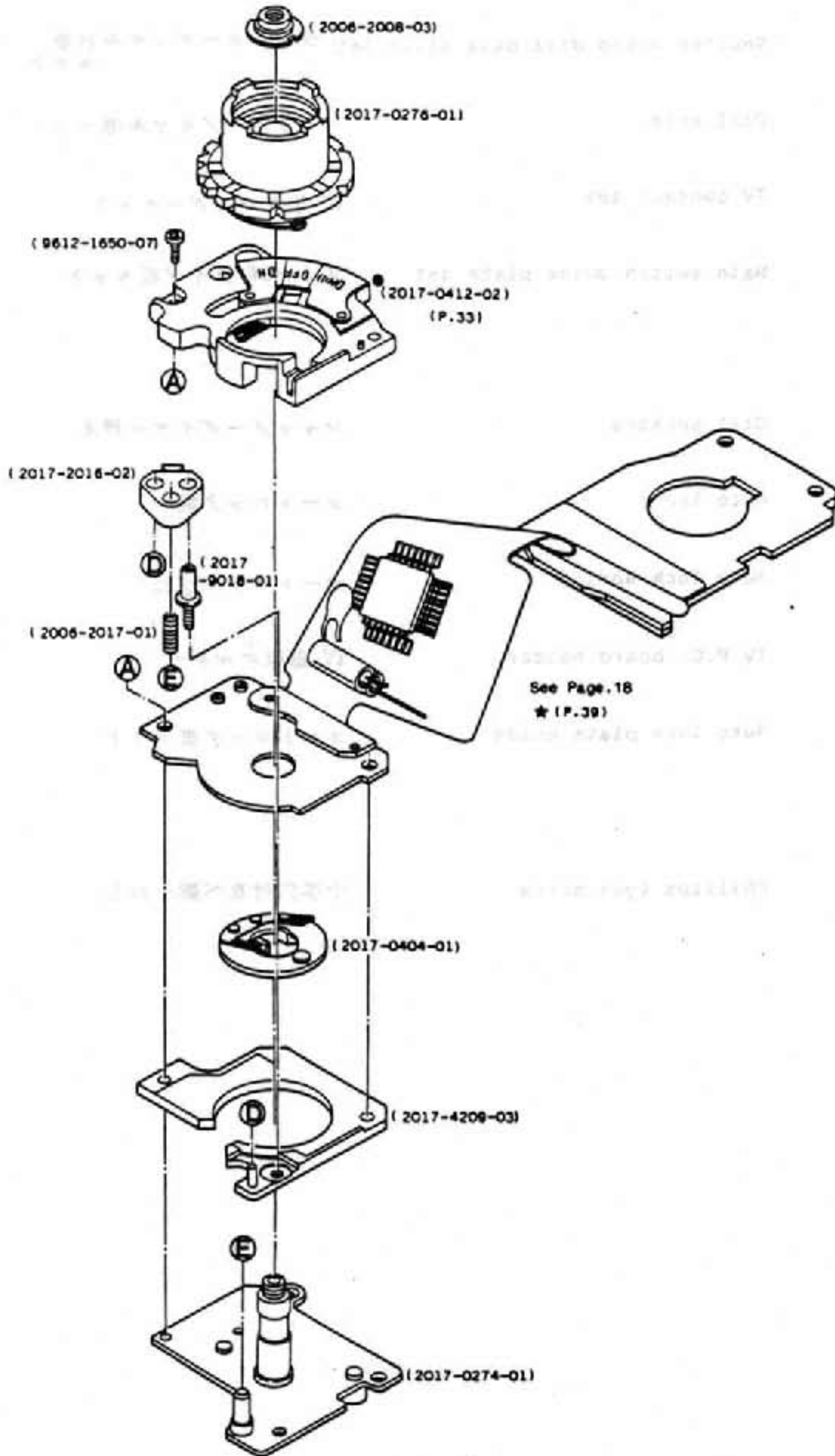
Part No.	Part Name	Qty
2017-0331-01	Winding base plate-A set 巻取台板Aセット	1
2017-0350-01	Spool friction gear set スプールフリクションギヤーセット	1
2017-0352-01	Sprocket shaft set スプロケット軸セット	1
2017-3037-01	Reversion stop lever spring 逆転止めレバースプリング	1
2017-3041-31	Spool スプール	1
2017-3042-31	Spool inner barrel スプール内筒	1
2017-3051-02	Sprocket スプロケット	1
2006-3053-02	R button release spring R釦解除スプリング	1
2017-3055-01	Sprocket gear スプロケットギヤー	1
2017-3421-02	Film indication filler フィルム表示ファイラー	1
9721-0150-13	E-ring Eリング	1
9761-2040-07	Tap tite screw 十字穴付なべ頭タップタイトねじ	2





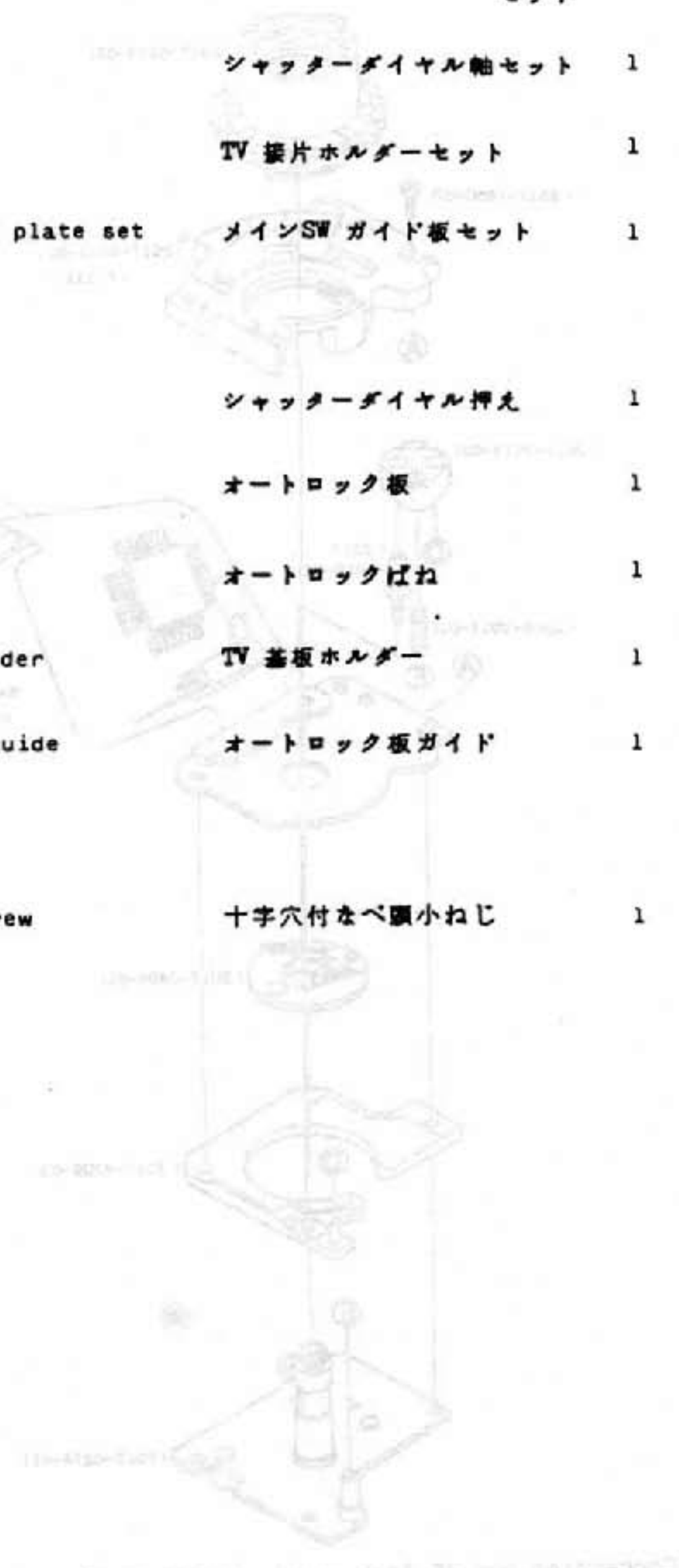
Part No.	Part Name		Qty
2017-0113-04	Strap hanger set	吊環セット	1
2017-1040-01	Top cover set plate	上カバー止め板	1
2017-1041-03	Light shield packing-A	遮光パッキンA	1
2006-1042-01	Light shield packing-B	遮光パッキンB	1
2017-1043-02	Light shield packing-C	遮光パッキンC	1
2017-1110-04	Back cover lock lever	裏蓋ロックレバー	1
2017-1111-02	Lock cover	ロックカバー	1
2006-1112-01	Back cover lock spring	裏蓋ロックスプリング	1
2017-1350-03	Hinge	ヒンジ	1
2017-3304-01	Rewinding fork	巻戻しフォーク	1
2019-3308-02	Rewinding friction spring	巻戻しフリクションスプリング	1
2017-3309-01	Rewinding axis receiver	巻戻し軸受	1
2017-3312-01	Light shield collar	巻戻し遮光カラー	1
2017-4255-01	Tape (35mmX6.7mm)	リード線接着テープ	1
2006-9121-03	Screw	ヒンジ止めねじ	2
2006-9401-01	Film guide collar	フィルムガイドカラー	1
9611-1630-04	Phillips type screw	十字穴付なべ頭小ねじ	1
9612-2080-07	Phillips type screw	十字穴付なべ頭小ねじ	1
9761-1740-07	Tap tite screw	十字穴付なべ頭タップタイトねじ	2
9762-1735-07	Tap tite screw	十字穴付なべ頭タップタイトねじ	1
9762-2045-07	Tap tite screw	十字穴付なべ頭タップタイトねじ	3

Assy. Part No. 2017-0401-35
(P.29-P.33)

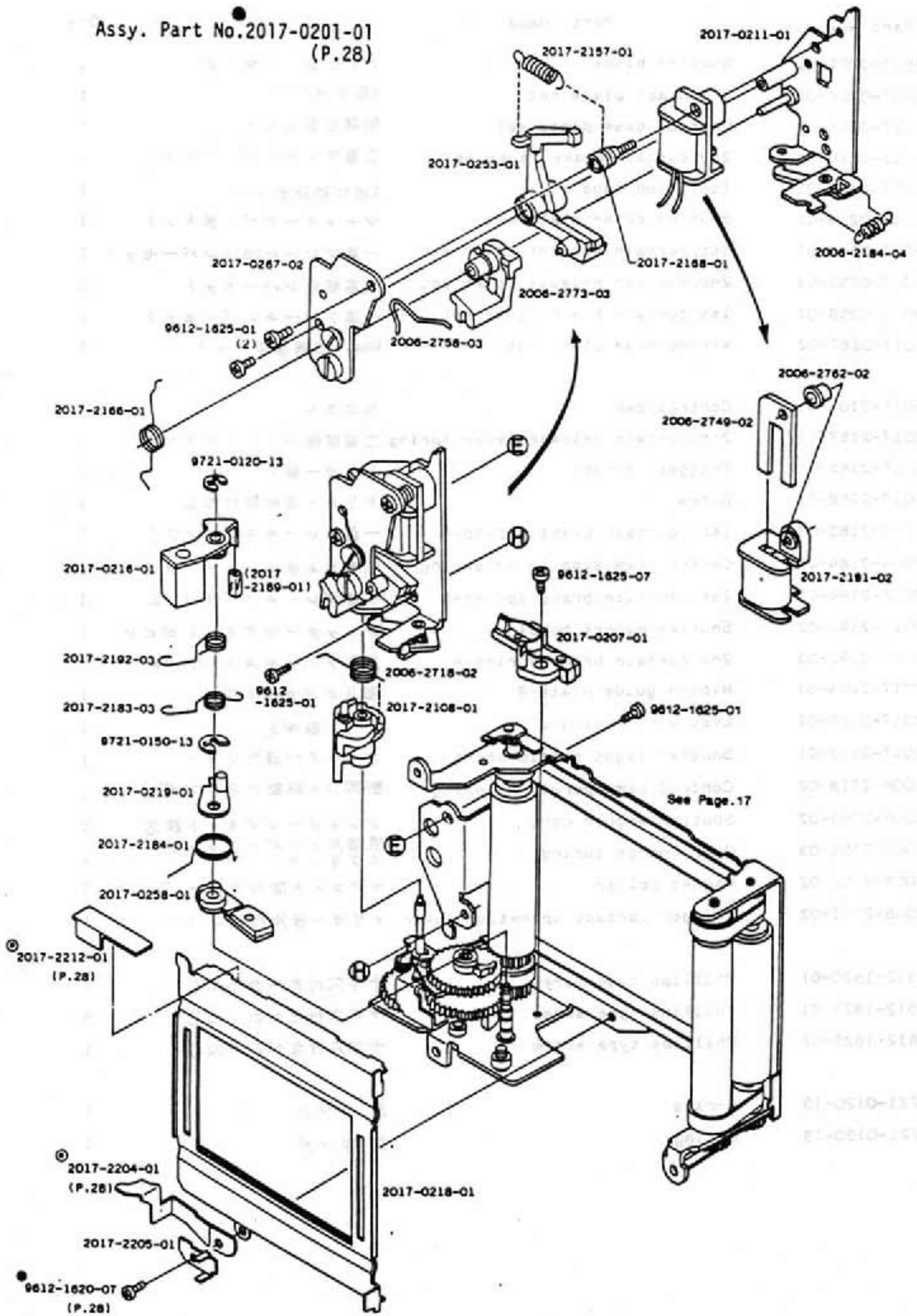


Concerning non AE lock model, refer to the page shown by ★.
AEロック機能なしモデルは、★マークのページを参照して下さい。

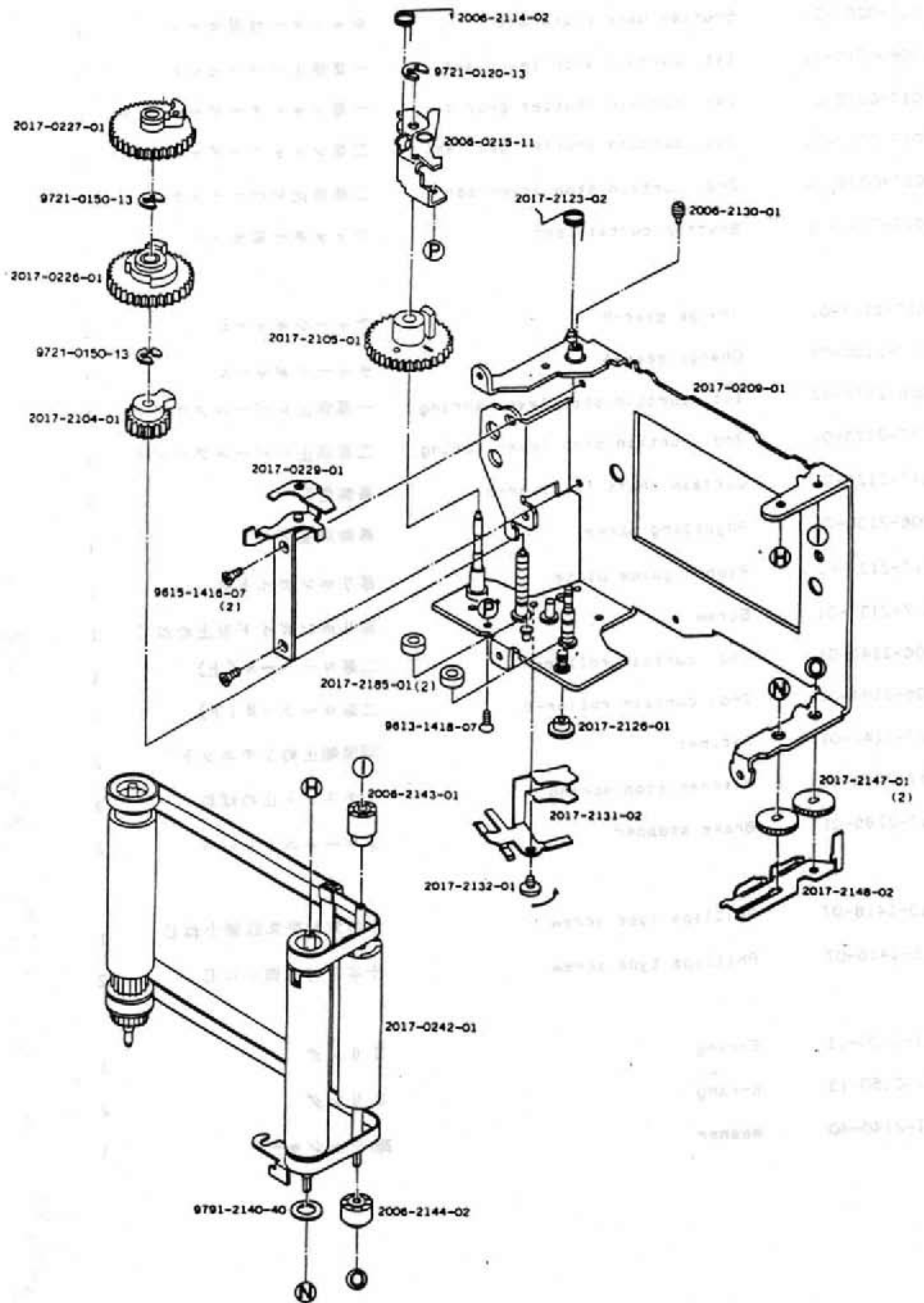
Part No.	Part Name	Qty
2017-0401-35	Flexible P.C. board set フレキシブル基板セット	1
(2017-0274-01)	Shutter speed dial base plate set シャッターダイヤル台板 セット	1
(2017-0276-01)	Dial axis シャッターダイヤル軸セット	1
(2017-0404-01)	TV contact set TV 接片ホルダーセット	1
(2017-0412-02)	Main switch guide plate set メインSW ガイド板セット	1
(2006-2008-03)	Dial presse シャッターダイヤル押え	1
(2017-2016-02)	Auto lock オートロック板	1
(2006-2017-01)	Auto lock spring オートロックばね	1
(2017-4209-03)	TV P.C. board holder TV 基板ホルダー	1
(2017-9018-01)	Auto lock plate guide オートロック板ガイド	1
(9612-1650-07)	Phillips type screw 十字穴付なべ頭小ねじ	1



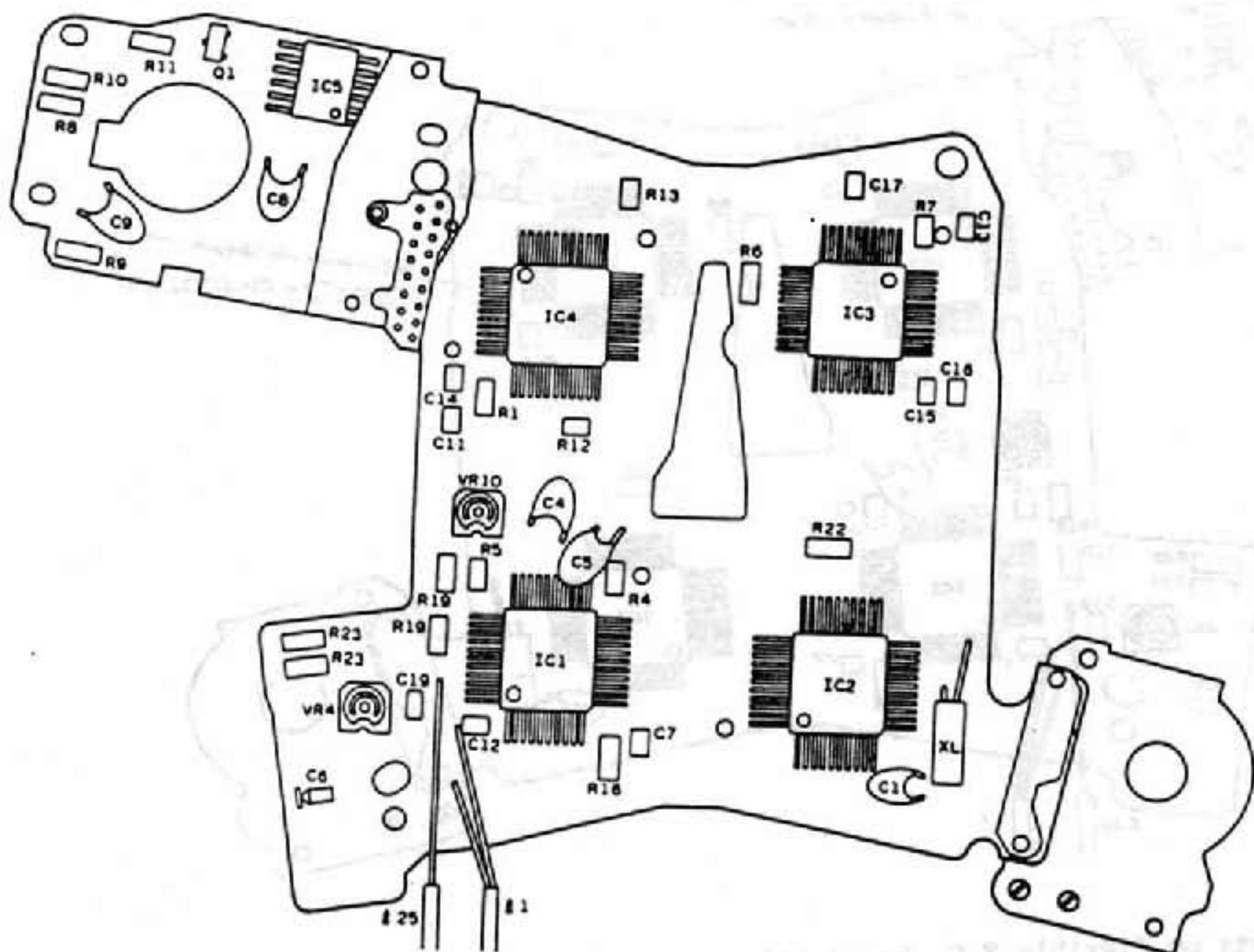
Assy. Part No. 2017-0201-01
(P.28)



Part No.	Part Name		Qty
2017-0201-01	Shutter block	シャッターブロック	1
2017-0207-01	X contact plate set	X接片セット	1
2017-0211-01	Control base plate set	制御台板セット	1
2017-0216-01	2nd.curtain brake lever set	二幕ブレーキレバーセット	1
(2017-2189-01)	Isolation tube	X接片絶縁チューブ	1
2017-0218-01	Shutter cover plate set	シャッターカバー板セット	1
2017-0219-01	1st.curtain support lever set	一幕ブレーキ補助レバーセット	1
2017-0253-01	2nd.curtain release lever set	二幕解除レバーセット	1
2017-0258-01	1st.curtain brake lever set	一幕ブレーキレバーセット	1
2017-0267-02	Wiring base plate set	Mag. 配線基板セット	1
2017-2108-01	Control cam	制御カム	1
2017-2157-01	2nd.curtain release lever spring	二幕解除レバースプリング	1
2017-2166-01	Trigger contact	トリガー接片	1
2017-2168-01	Screw	トリガー基板取付ねじ	1
2017-2183-03	1st. curtain brake spring-B	一幕ブレーキスプリングB	1
2006-2184-04	Control cam stop lever spring	制御カム係止レバースプリング	1
2017-2184-01	1st. curtain brake spring-A	一幕ブレーキスプリングA	1
2017-2191-02	Shutter magnet bobbin	シャッターマグネットボビン	1
2017-2192-03	2nd.curtain brake spring-A	二幕ブレーキスプリングA	1
2017-2204-01	Ribbon guide plate-B	幕リボンガイド板B	1
2017-2205-01	Lead wire pressure	リード線押え	1
2017-2212-01	Shutter light shield sheet	シャッター遮光シート	1
2006-2718-02	Control cam operation spring	制御カム駆動スプリング	1
2006-2749-02	Shutter magnet core	シャッターマグネット鉄芯	1
2006-2758-03	Over charge spring	吸着片オーバーチャージ スプリング	1
2006-2762-02	Magnet collar	マグネット取付カラー	1
2006-2773-03	Trigger contact operation lever	トリガー接片作動レバー	1
9612-1620-07	Phillips type screw	十字穴付なべ頭小ねじ	1
9612-1625-01	Phillips type screw	十字穴付なべ頭小ねじ	4
9612-1625-07	Phillips type screw	十字穴付なべ頭小ねじ	1
9721-0120-13	E-ring	E リング	1
9721-0150-13	E-ring	E リング	1



Part No.	Part Name		Qty
2017-0209-01	Shutter base plate set	シャッター台板セット	1
2006-0215-11	1st. curtain stop lever set	一幕係止レバーセット	1
2017-0226-01	1st. curtain shutter gear set	一幕シャッターギヤセット	1
2017-0227-01	2nd. curtain shutter gear set	二幕シャッターギヤセット	1
2017-0229-01	2nd. curtain stop lever set	二幕係止レバーセット	1
2017-0242-01	Shutter curtain set	シャッター幕セット	1
2017-2104-01	Charge gear-B	チャージギヤ-B	1
2017-2105-01	Charge gear-A	チャージギヤ-A	1
2006-2114-02	1st. curtain stop lever spring	一幕係止レバースプリング	1
2017-2123-02	2nd. curtain stop lever spring	二幕係止レバースプリング	1
2017-2126-01	Curtain shaft receiver-B	幕軸受B	1
2006-2130-01	Adjusting screw	幕軸調整ビス	1
2017-2131-02	Ribbon guide plate	幕リボンガイド板	1
2017-2132-01	Screw	幕リボンガイド板止めねじ	1
2006-2143-01	2nd. curtain roller-A	二幕ローラーA(上)	1
2006-2144-02	2nd. curtain roller-B	二幕ローラーB(下)	1
2017-2147-01	Ratchet	SP筒軸止めラチェット	2
2017-2148-02	Ratchet stop spring	ラチェット止めばね	1
2017-2185-01	Brake stopper	ブレーキストッパー	2
9613-1418-07	Phillips type screw	十字穴付半丸皿頭小ねじ	1
9615-1416-07	Phillips type screw	十字穴付皿頭小ねじ	2
9721-0120-13	E-ring	Eリング	1
9721-0150-13	E-ring	Eリング	2
9791-2140-40	Washer	薄ワッシャー	1



■ Electrical parts on flexible P.C. board set

- Flexible P.C. board set with AE lock circuit, 5 types (2017-0401-81, 2017-0401-32, 2017-0401-33, 2017-0401-34, 2017-0401-35) had been assembled, however, other parts than IC3 on 0401-81 are common parts.
- 0401-81 is not a service part, use IC3 (2017-4303-32) when replacing.

■ For the other type flexible P.C. board set, refer to page 30.

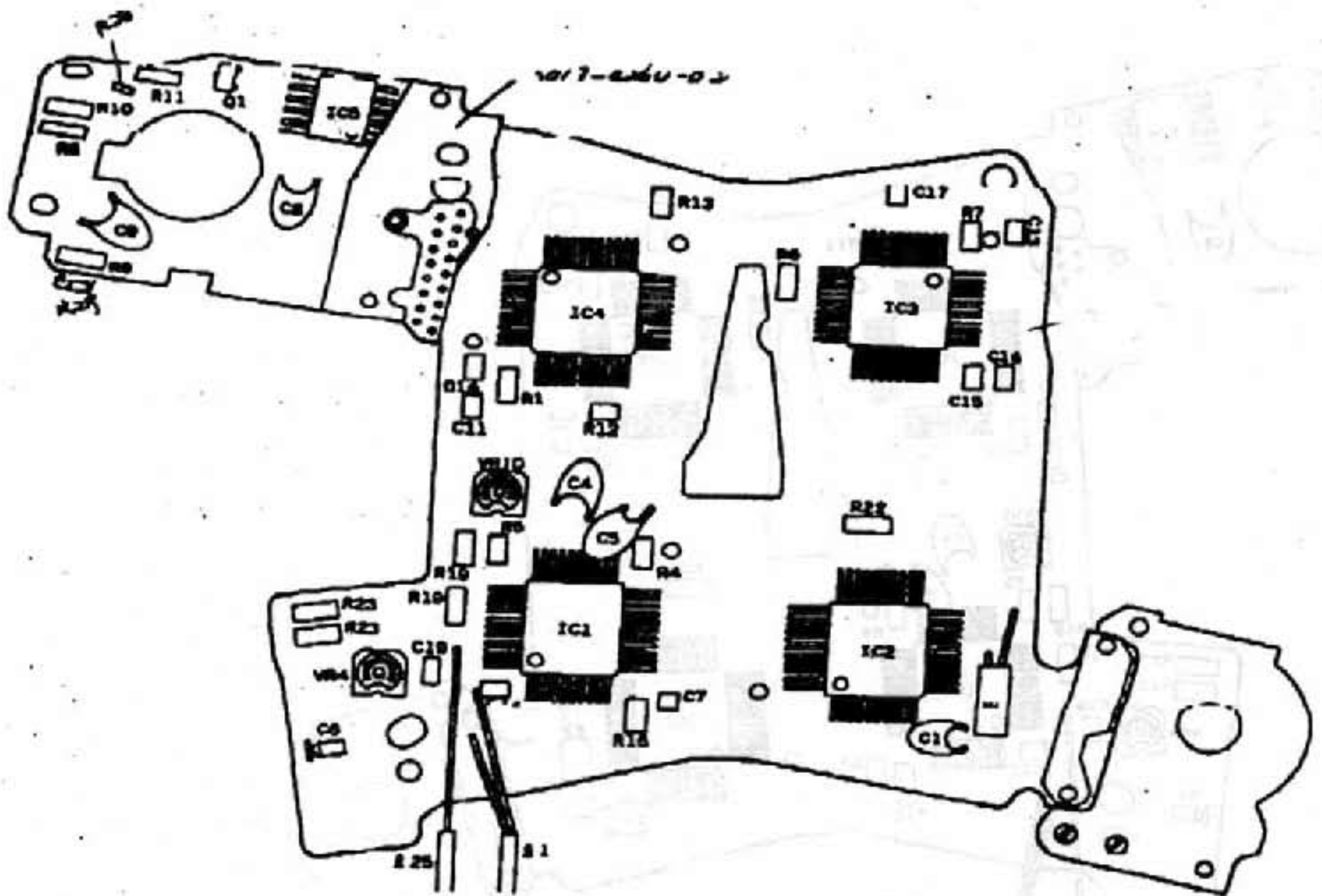
■ フレキシブル基板搭載の電気部品について

- AEロック回路付フレキシブル基板セットは、5種類（2017-0401-81, 2017-0401-32, 2017-0401-33, 2017-0401-34, 2017-0401-35）有りますが、0401-81のIC3以外全て共通です。
- 0401-81のIC3は、部品供給しておりませんので交換時は、右表のIC3（2017-4303-32）に交換して下さい。

■ 他の種類のフレキシブル基板については、page 30 を参照して下さい。

X-700 (Black model)

CODE No. 2017-200



■ Electrical parts on flexible P.C. board set

• Flexible P.C. board set with AE lock circuit, 5 types (2017-0401-81, 2017-0401-32, 2017-0401-33, 2017-0401-34, 2017-0401-35) had been assembled, however, other parts than IC3 on 0401-81 are common parts.

• 0401-81 is not a service part, use IC3 (2017-4303-32) when replacing.

■ For the other type flexible P.C. board set, refer to page 30.

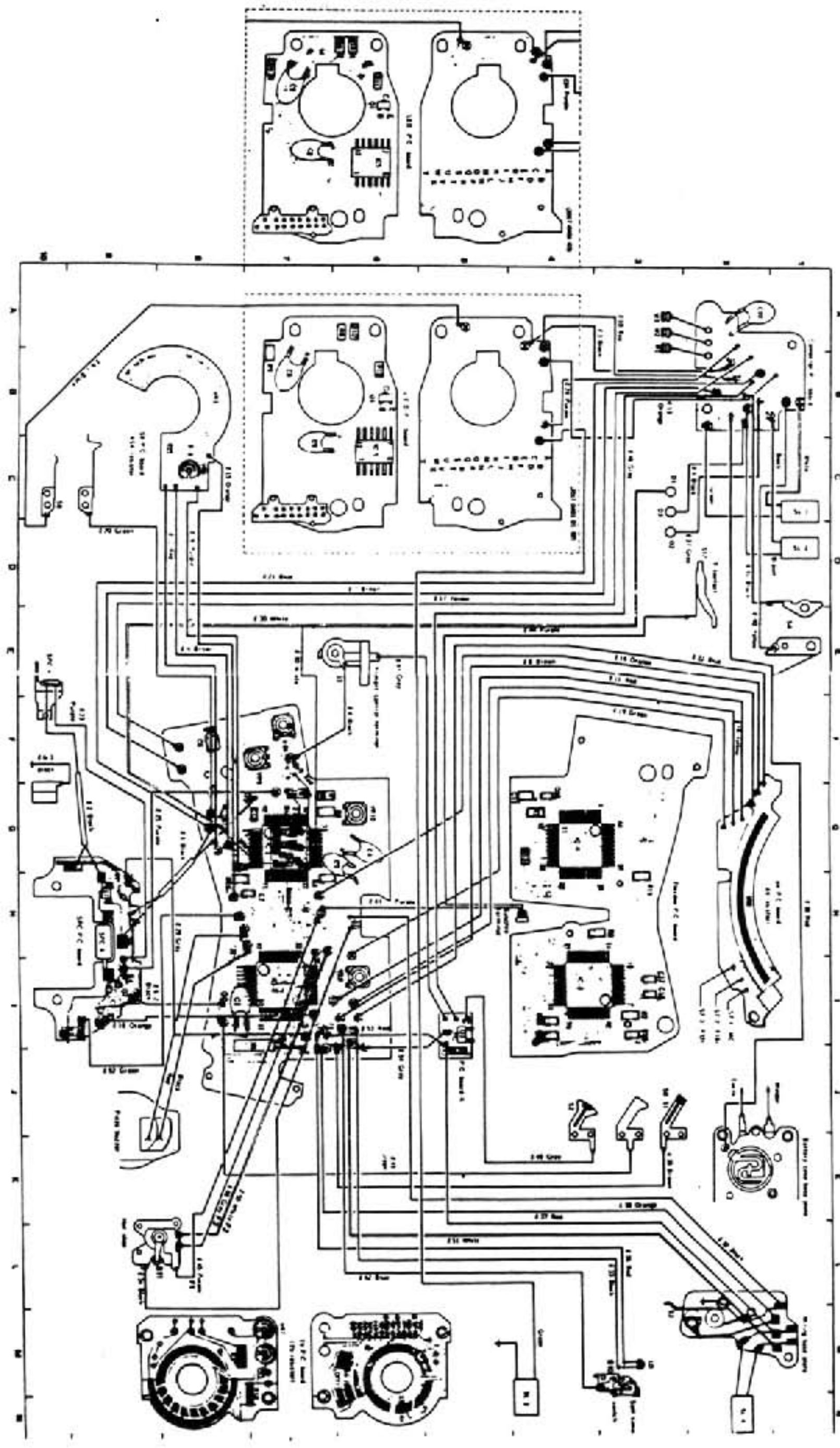
■ フレキシブル基板搭載の電気部品について

• AEロック回路付フレキシブル基板セットは、5種類 (2017-0401-81, 2017-0401-32, 2017-0401-33, 2017-0401-34, 2017-0401-35) ありますが、0401-81のIC3以外全て共通です。

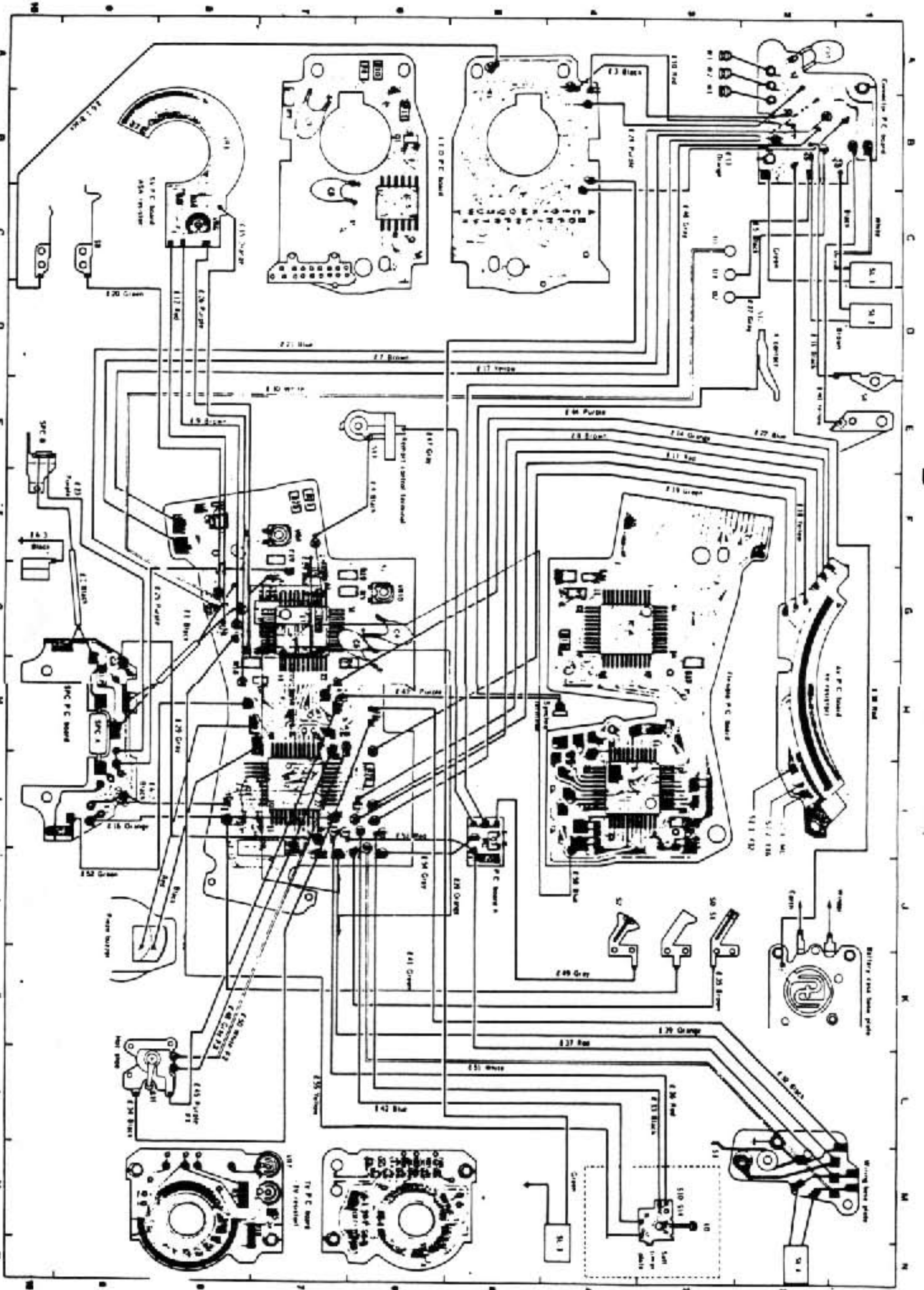
• 0401-81のIC3は、部品供給していませんので交換時は、右表のIC3 (2017-4303-32) に交換して下さい。

■ 他の種類のフレキシブル基板については、page 30 を参照して下さい。

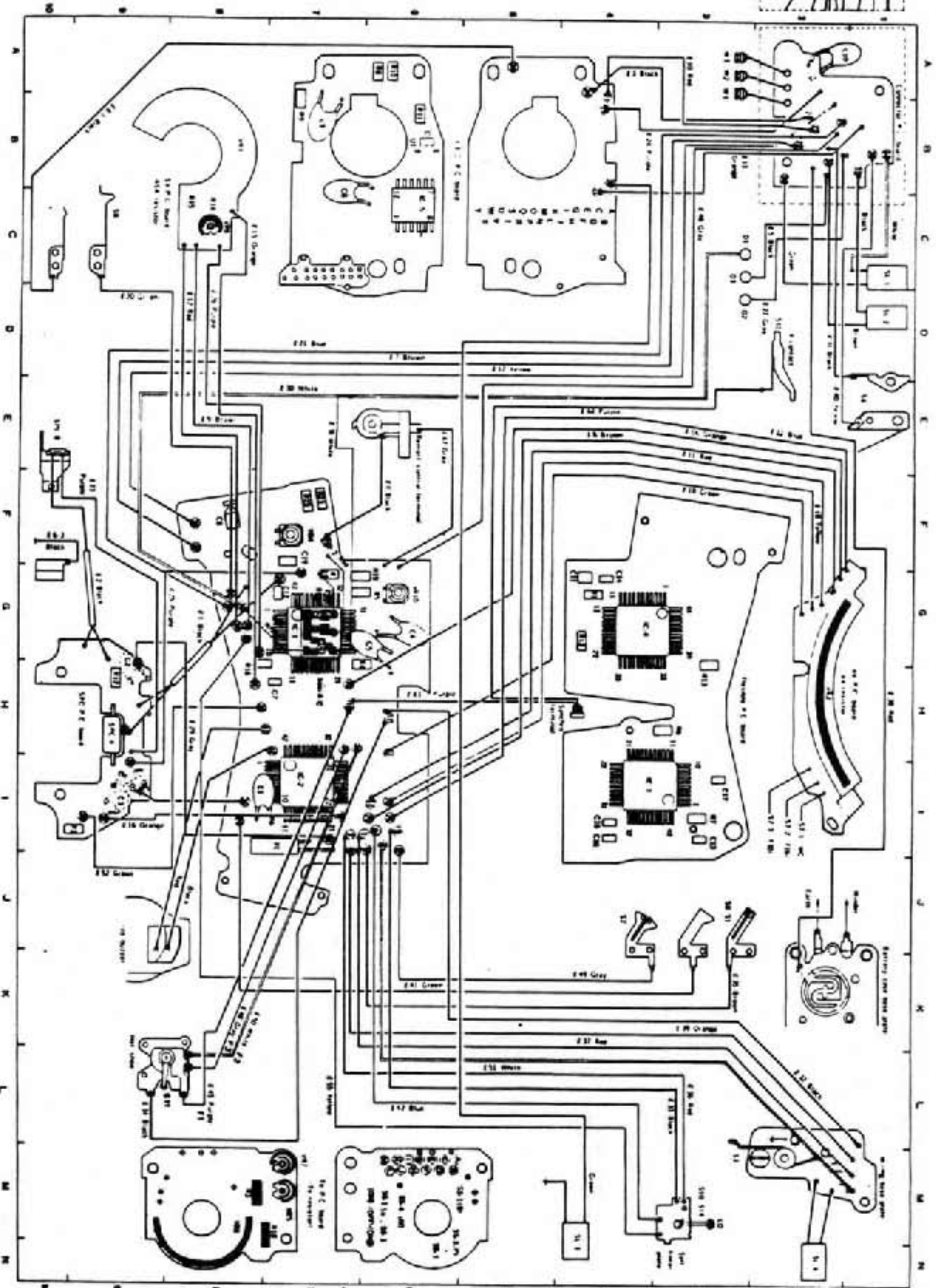
A X-700 CODE No. 2017 (2017.0401.01, 2017.0401.02, 2017.0401.03)



B X-700 CODE No. 3017 (2017-0401-81)



D X-700 CODE No. 2017 (2017-0401-34, 2017-0401-35)



Assy. Part No. 2017-0401-35 Assy. Part Name Flexible P.C board set
フレキシブル基板セット

Symbol	Part No.	Com	Part Name	Typ.	Qty.	
IC1	2017-4301-01		IC	M51885P	1	
IC2	2017-4302-01			M51886P	1	
IC3	2017-4303-32			M51889P	1	
IC4	2017-4304-01			HA16526	1	
IC5	2017-4305-01			BA6128	1	
Q1	9363-1032-01	02,03	Transistor	2SA1162S(O,Y,G)	1	
XL	9373-4161-01		Crystal resonator	KFJ8G	1	
R1	9422-2046-62		Fixed resistor	1/8W 200K Ω	1	
R4	9422-9106-62			1/8W 91 Ω	1	
R5	9432-5626-61			1/8W 5.6K Ω	1	
	9432-6226-61			1/8W 6.2K Ω		
	9432-6826-61			1/8W 6.8K Ω		
	9432-7526-61			1/8W 7.5K Ω		
R6	9422-3916-62			1/8W 390 Ω	1	
R7	9432-2068-61			1/8W 20M Ω	1	
R8	9422-3616-62			1/8W 360K Ω	1	
R9 R10 R11	9422-1026-62			1/8W 1K Ω	3	
R12	9432-2026-61			1/8W 2K Ω	1	
	9432-2426-61			1/8W 2.4K Ω		
	9432-2726-61			1/8W 2.7K Ω		
	9432-3026-61			1/8W 3K Ω		
	9432-3926-61			1/8W 3.9K Ω		
R13	9432-3357-61			1/8W 3.3M Ω	1	
R16	9432-5126-61			1/8W 5.1K Ω	1	
R19	9422-2736-62			1/8W 27K Ω	1 or 2	
	9422-3036-62			1/8W 30K Ω		
	9422-3336-62			1/8W 33K Ω		
	9422-3636-62		1/8W 36K Ω			
	9422-3936-62		1/8W 39K Ω			
	9422-4336-62		1/8W 43K Ω			
	9422-4736-62		1/8W 47K Ω			
	9422-5636-62		1/8W 56K Ω			
	9422-6836-62		1/8W 68K Ω			
	9422-1046-62		1/8W 100K Ω			
R22	9432-1226-61		1/8W 1.2K Ω	1		
	9432-3926-61		1/8W 3.9K Ω			
	9432-7526-61		1/8W 7.5K Ω			
R23	9432-2436-62		1/8W 24K Ω	0 or 1		
	9432-2736-62		1/8W 27K Ω			
	9432-3336-62		1/8W 33K Ω			
	9432-3936-62		1/8W 39K Ω			
	9432-5136-62		1/8W 51K Ω			
	9432-6836-62		1/8W 68K Ω			
	9432-1046-62		1/8W 100K Ω			
	9432-2046-62		1/8W 200K Ω			
VR4	9472-2239-63		Variable resistor	EVM14G 22K Ω	1	
VR10	9472-3329-63		Variable resistor	EVM 3.3K Ω	1	
C1	9535-1555-36		Condenser	202 1.5 μ F/35V	1	
C4	9533-3355-63			DN 3.3 μ F/16V	1	
C5	9535-4745-36			202 0.47 μ F/35V	1	
C6	9534-6845-61			CS81E 0.68 μ F/20V	1	
C7	9564-3324-61			CM21WR 330PF/25V	1	
C8	9531-1575-61			202 150 μ F/3.15V	1	
C9	9531-1075-63			DN 100 μ F/3.15V	1	
C11	9565-4738-64			CM22YU 0.047 μ F/50V	1	
C12	9565-0200-61			GR40CK 2PF/50V	1	
C13 C14	9565-1234-61			GR40W5R 0.012 μ F/50V	2	
C15 C16	9564-3005-62			CM21CH 30PF/25V	2	
C17	9564-1025-61			CM21WR 1000PF/25V	1	
C19	9564-1514-62			CM21SL 150PF/25V	1	
φ1	2017-4401-C2			Lead wire Black	Junfuron cord φ=33	1
φ25	9391-0507-07			Lead wire Purple	φ0.05/7 φ=45	1

■ Lead wires list (2017-0401-81)

Symbol	Parts No.	Color	Type	Qty
g1	2017-4401-02	Black	l=33	1
g2	2017-4402-02	Black	l=90	1
g3	9391-0507-00	Black	φ 0.05/7 l=80	1
g4	9391-0507-00	Black	φ 0.05/7 l=70	1
g5	9391-0807-00	Black	φ 0.08/7 l=40	1
g6-1	9391-0507-00	Black	φ 0.05/7 l=30	1
g6-2, g6-3	9391-0507-00	Black	φ 0.05/7 l=25	2
g7	9391-0807-01	Brown	φ 0.08/7 l=105	1
g8	9391-0507-01	Brown	φ 0.05/7 l=70	1
g9	9391-0807-01	Brown	φ 0.08/7 l=25	1
g10	9391-0507-02	Red	φ 0.05/7 l=90	1
g11	9391-0507-02	Red	φ 0.05/7 l=65	1
g12	9391-0807-02	Red	φ 0.08/7 l=25	1
g13	9391-0507-03	Orange	φ 0.05/7 l=90	1
g14	9391-0507-03	Orange	φ 0.05/7 l=55	1
g15	9391-0807-03	Orange	φ 0.08/7 l=45	1
g16	9391-0507-03	Orange	φ 0.05/7 l=35	1
g17	9391-0807-04	Yellow	φ 0.08/7 l=115	1
g18	9391-0507-04	Yellow	φ 0.05/7 l=65	1
g19	9391-0507-05	Green	φ 0.05/7 l=60	1
g20	9391-0507-05	Green	φ 0.05/7 l=25	1
g21	9391-0507-06	Blue	φ 0.05/7 l=120	1
g22	9391-0507-06	Blue	φ 0.05/7 l=65	1
g23	9391-0807-07	Purple	φ 0.08/7 l=95	1
g24	9391-0507-07	Purple	φ 0.05/7 l=85	1
g25	9391-0507-07	Purple	φ 0.05/7 l=45	1
g26	9391-0807-07	Purple	φ 0.08/7 l=30	1
g27	9391-0807-08	Gray	φ 0.08/7 l=50	1
g29	9391-0507-08	Gray	φ 0.05/7 l=50	1
g30	9391-0807-09	White	φ 0.08/7 l=145	1
g31	9391-0807-00	Black	φ 0.08/7 l=155	1
g32	9391-0807-00	Black	φ 0.08/7 l=65	1
g33	9391-0807-00	Black	φ 0.08/7 l=45	1
g34	9391-0807-00	Black	φ 0.08/7 l=45	1
g35	9391-0807-01	Brown	φ 0.08/7 l=25	1
g36	9391-0807-02	Red	φ 0.08/7 l=75	1
g37	9391-0807-02	Red	φ 0.08/7 l=35	1
g38	9391-0807-02	Red	φ 0.08/7 l=25	1
g39	9391-0807-03	Orange	φ 0.08/7 l=65	1
g40	9391-0807-04	Yellow	φ 0.08/7 l=150	1
g41	9391-0807-05	Green	φ 0.08/7 l=40	1
g42	9391-0807-06	Blue	φ 0.08/7 l=45	1
g43	9391-0807-07	Purple	φ 0.08/7 l=105	1
g44	9391-0807-07	Purple	φ 0.08/7 l=65	1
g45	9391-0807-07	Purple	φ 0.08/7 l=50	1
g46	9391-0807-08	Gray	φ 0.08/7 l=140	1
g47	9391-0807-08	Gray	φ 0.08/7 l=75	1
g48	9391-0807-08	Gray	φ 0.08/7 l=55	1
g49	9391-0807-08	Gray	φ 0.08/7 l=60	1
g50	9391-0807-09	White	φ 0.08/7 l=55	1
g51	9391-0807-09	White	φ 0.08/7 l=30	1
g52	9391-0507-05	Green	φ 0.05/7 l=35	1
g53	9391-0507-02	Red	φ 0.05/7 l=25	1
g54	9391-0507-08	Gray	φ 0.05/7 l=25	1
g55	9391-0807-04	Yellow	φ 0.08/7 l=80	1
g57	9391-0807-04	Yellow	φ 0.08/7 l=55	1
g58	9391-0807-06	Blue	φ 0.08/7 l=65	1
g59	9391-0807-02	Red	φ 0.08/7 l=25	1
g60	9391-0807-00	Black	φ 0.08/7 l=10	1

■ g1 (2017-4401-02) and g2 (2017-4402-02) are supplied with specified length above as service part.

Other lead wires than g1 and g2 are supplied with meter (m) each.

■ g1 (2017-4401-02)、g2 (2017-4402-02) は、上記指定の長さで供給します。それ以外は、1m単位で供給します。

■ Lead wires list (2017-0401-32, 2017-0401-33, 2017-0401-82)

*2017-0401-82, whose flexible P.C. board has built-in AE lock circuit, has the same wirings except #55 since it has a common printed wiring. (#55 is unnecessary.)

■2017-0401-82は、AEロック回路の無いフレキシブル基板ですが、フレキシブルのパターンが共通でありSSIIの配線は、全て同じです。(#55は配線しません。)

Symbol	Parts No.	Color	Type	Qty
#1	2017-4401-02	Black	ℓ=33	1
#2	2017-4402-02	Black	ℓ=90	1
#3	9391-0507-00	Black	φ0.05/7 ℓ=80	1
#4	9391-0507-00	Black	φ0.05/7 ℓ=70	1
#5	9391-0807-00	Black	φ0.08/7 ℓ=40	1
#6-1	9391-0507-00	Black	φ0.05/7 ℓ=30	1
#6-2, #6-3	9391-0507-00	Black	φ0.05/7 ℓ=25	2
#7	9391-0807-01	Brown	φ0.08/7 ℓ=105	1
#8	9391-0507-01	Brown	φ0.05/7 ℓ=70	1
#9	9391-0807-01	Brown	φ0.08/7 ℓ=25	1
#10	9391-0507-01	Red	φ0.05/7 ℓ=90	1
#11	9391-0507-02	Red	φ0.05/7 ℓ=65	1
#12-1	9391-0507-02	Red	φ0.05/7 ℓ=55	2
#12-2	9391-0507-02	Red	φ0.05/7 ℓ=45	1
#13	9391-0507-03	Orange	φ0.05/7 ℓ=90	1
#14	9391-0507-03	Orange	φ0.05/7 ℓ=55	1
#15	9391-0807-03	Orange	φ0.08/7 ℓ=45	1
#16	9391-0507-03	Orange	φ0.05/7 ℓ=35	1
#17	9391-0807-04	Yellow	φ0.08/7 ℓ=115	1
#18	9391-0507-04	Yellow	φ0.05/7 ℓ=65	1
#19	9391-0507-05	White	φ0.05/7 ℓ=60	1
#20	9391-0507-05	Green	φ0.05/7 ℓ=25	1
#21	9391-0507-06	Blue	φ0.05/7 ℓ=120	1
#22	9391-0507-06	Blue	φ0.05/7 ℓ=65	1
#23	9391-0807-07	Purple	φ0.08/7 ℓ=95	1
#24	9391-0507-07	Purple	φ0.05/7 ℓ=85	1
#25	9391-0507-07	Purple	φ0.05/7 ℓ=45	1
#26	9391-0807-07	Purple	φ0.08/7 ℓ=30	1
#27	9391-0807-08	Gray	φ0.08/7 ℓ=50	1
#29	9391-0507-08	Gray	φ0.05/7 ℓ=50	1
#30	9391-0807-09	White	φ0.08/7 ℓ=145	1
#31	9391-0807-00	Black	φ0.08/7 ℓ=155	1
#32	9391-0807-00	Black	φ0.08/7 ℓ=65	1
#33	9391-0807-00	Black	φ0.08/7 ℓ=45	1
#34	9391-0807-00	Black	φ0.08/7 ℓ=45	1
#35	9391-0807-01	Brown	φ0.08/7 ℓ=25	1
#36	9391-0807-02	Red	φ0.08/7 ℓ=75	1
#37	9391-0807-02	Red	φ0.08/7 ℓ=35	1
#38	9391-0807-02	Red	φ0.08/7 ℓ=25	1
#39	9391-0807-03	Orange	φ0.08/7 ℓ=40	1
#40	9391-0807-04	Yellow	φ0.08/7 ℓ=150	1
#41	9391-0807-05	Green	φ0.08/7 ℓ=40	1
#42	9391-0807-06	Blue	φ0.08/7 ℓ=45	1
#43	9391-0807-07	Purple	φ0.08/7 ℓ=105	1
#44	9391-0807-07	Purple	φ0.08/7 ℓ=65	1
#45	9391-0807-07	Purple	φ0.08/7 ℓ=50	1
#46	9391-0807-08	Gray	φ0.08/7 ℓ=140	1
#47	9391-0807-08	Gray	φ0.08/7 ℓ=75	1
#48	9391-0807-08	Gray	φ0.08/7 ℓ=55	1
#49	9391-0807-08	Gray	φ0.08/7 ℓ=60	1
#50	9391-0807-09	White	φ0.08/7 ℓ=55	1
#51	9391-0807-09	White	φ0.08/7 ℓ=30	1
#52	9391-0507-05	Green	φ0.05/7 ℓ=35	1
#53	9391-0507-02	Red	φ0.05/7 ℓ=25	1
#54	9391-0507-08	Gray	φ0.05/7 ℓ=25	1
#55	9391-0807-04	Yellow	φ0.08/7 ℓ=80	1
#62	9391-0807-09	White	φ0.08/7 ℓ=25	1
#63	9391-0807-00	Black	φ0.08/7 ℓ=25	1

■#1 (2017-4401-02) and #2 (2017-4402-02) are supplied with specified length above as service part.

Other lead wires than #1 and #2 are supplied with meter (m) each.

■#1 (2017-4401-02)、#2 (2017-4402-02) は、上記指定の長さで供給します。それ以外は、1m単位で供給します。

■ Lead wires list (2017-0401-34,2017-0401-35)

Symbol	Parts No.	Color	Type	Qty
1	2017-4401-02	Black	1.33	1
2	2017-4402-02	Black	1.90	1
3	9391-0507-00	Black	φ 0.05/7 1.80	1
4	9391-0507-00	Black	φ 0.05/7 1.70	1
5	9391-0807-00	Black	φ 0.08/7 1.40	1
6-1	9391-0507-00	Black	φ 0.05/7 1.30	1
6-2, 6-3	9391-0507-00	Black	φ 0.05/7 1.25	2
7	9391-0807-01	Brown	φ 0.08/7 1.105	1
8	9391-0507-01	Brown	φ 0.05/7 1.70	1
9	9391-0807-01	Brown	φ 0.08/7 1.25	1
10	9391-0507-02	Red	φ 0.05/7 1.90	1
11	9391-0507-02	Red	φ 0.05/7 1.65	1
12-2	9391-0807-02	Red	φ 0.08/7 1.25	2
13	9391-0507-03	Orange	φ 0.05/7 1.90	1
14	9391-0507-03	Orange	φ 0.05/7 1.55	1
15	9391-0807-03	Orange	φ 0.08/7 1.45	1
16	9391-0507-03	Orange	φ 0.05/7 1.35	1
17	9391-0807-04	Yellow	φ 0.08/7 1.115	1
18	9391-0507-04	Yellow	φ 0.05/7 1.65	1
19	9391-0507-05	Green	φ 0.05/7 1.60	1
20	9391-0507-05	Green	φ 0.05/7 1.25	1
21	9391-0507-06	Blue	φ 0.05/7 1.120	1
22	9391-0507-06	Blue	φ 0.05/7 1.65	1
23	9391-0807-07	Purple	φ 0.08/7 1.95	1
24	9391-0507-07	Purple	φ 0.05/7 1.85	1
25	9391-0507-07	Purple	φ 0.05/7 1.45	1
26	9391-0807-07	Purple	φ 0.08/7 1.30	1
27	9391-0807-08	Gray	φ 0.08/7 1.50	1
29	9391-0507-08	Gray	φ 0.05/7 1.50	1
30	9391-0807-09	white	φ 0.08/7 1.45	1
31	9391-0807-00	Black	φ 0.08/7 1.155	1
32	9391-0807-00	Black	φ 0.08/7 1.65	1
33	9391-0807-00	Black	φ 0.08/7 1.45	1
34	9391-0807-00	Black	φ 0.08/7 1.45	1
35	9391-0807-01	Brown	φ 0.08/7 1.25	1
36	9391-0807-02	Red	φ 0.08/7 1.75	1
37	9391-0807-02	Red	φ 0.08/7 1.35	1
38	9391-0807-02	Red	φ 0.08/7 1.25	1
39	9391-0807-03	Orange	φ 0.08/7 1.40	1
40	9391-0807-04	Yellow	φ 0.08/7 1.150	1
41	9391-0807-05	Green	φ 0.08/7 1.40	1
42	9391-0807-06	Blue	φ 0.08/7 1.45	1
43	9391-0807-07	Purple	φ 0.08/7 1.105	1
44	9391-0807-07	Purple	φ 0.08/7 1.65	1
45	9391-0807-07	Purple	φ 0.08/7 1.50	1
46	9391-0807-08	Gray	φ 0.08/7 1.140	1
47	9391-0807-08	Gray	φ 0.08/7 1.50	1
48	9391-0807-08	Gray	φ 0.08/7 1.55	1
49	9391-0807-08	Gray	φ 0.08/7 1.35	1
50	9391-0807-09	white	φ 0.08/7 1.55	1
51	9391-0807-09	white	φ 0.08/7 1.30	1
52	9391-0507-05	Green	φ 0.05/7 1.35	1
55	9391-0807-04	Yellow	φ 0.08/7 1.80	1
62	9391-0807-09	white	φ 0.08/7 1.25	1
63	9391-0807-00	Black	φ 0.08/7 1.25	1

1 (2017-4401-02) and 2 (2017-4402-02) are supplied with specified length above as service part.

Other lead wires than 1 and 2 are supplied with meter (m) each.

1 (2017-4401-02)、2 (2017-4402-02) は、上記指定の長さで供給します。それ以外は、1m単位で供給します。

